



GROVE RT890E – 90T



## EQUIPMENT SPECIFICATIONS



**WITHOUT  
QUESTION**

[WWW.IRVINGEQUIPMENT.COM](http://WWW.IRVINGEQUIPMENT.COM)



# WITHOUT QUESTION

**IRVING EQUIPMENT LIMITED**  
 1-800-561-CRANE (2726)  
[WWW.IRVINGEQUIPMENT.COM](http://WWW.IRVINGEQUIPMENT.COM)

## INFO

### DIMENSIONS

|               |                   |
|---------------|-------------------|
| Asset Number  | Multiple          |
| Crane Make    | Grove             |
| Crane Model   | RT890E            |
| Type          | 90T Rough-Terrain |
| Serial Number | Multiple          |

### DIMENSIONS

|  |            |
|--|------------|
| Overall length of carrier                    | 28.11'     |
| Overall width of carrier                     | 10.95'     |
| Transportation height                        | 12.42'     |
| Fullspan outriggers c-c                      | 24'        |
| Midspan outriggers c-c                       | 17.3'      |
| Outriggers, front to rear length             | 24.6'      |
| Tailswing radius                             | 15.07'     |
| Overall length, boom at 0 deg.               | 47.3'      |
| Operational weight, w/CTWT, jib, ball, block | 117,235lbs |
| Counterweight removed                        | 95,235lbs  |
| Counterweight & jib removed                  | 93,094lb   |
| Dolly  | N/A        |
| No. dolly axles                              | N/A        |

### BOOM INFO

|                           |                         |
|---------------------------|-------------------------|
| Improved cab & visibility | 20-degree cab tilt      |
| Single-axis controls      | Air conditioning / Heat |
| Graphic display LMI       | Work area definition    |
| Aux. Hoist w/mirror       |                         |
| 3rd Wrap indicator        |                         |

### BOOM INFO

|                           |              |
|---------------------------|--------------|
| Full counterweight        | 22,000lb     |
| Fixed jib, length options | 33' – 56'    |
| Fixed jib, offset angles  | 0°, 20°, 40° |
| Luffing jib, max length   | N/A          |
| Main boom max. length     | 142'         |
| Max tip height with jib   | 206'         |

### ONBOARD EQUIPMENT

|                                     |                |
|-------------------------------------|----------------|
| Travel Speed                        | 35kmh          |
| Drive type                          | 4WD            |
| No. Winches                         | 2              |
| Line Pull, 5th layer (Main or Aux.) | 16,800lb       |
| Max line speed (Main or Aux.)       | 514'/min       |
| Gradeability                        | 75%            |
| Hoist Rope Length x Dia.            | 841' x 19mm    |
| Hoist Rope Construction             | 35x7 rot.-res. |



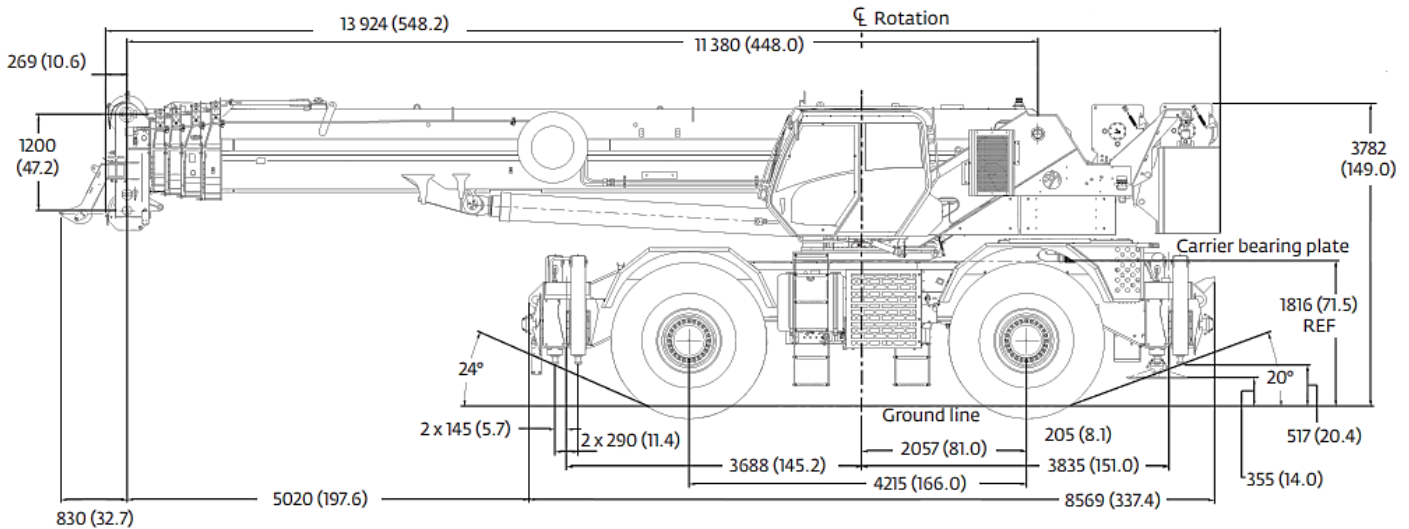
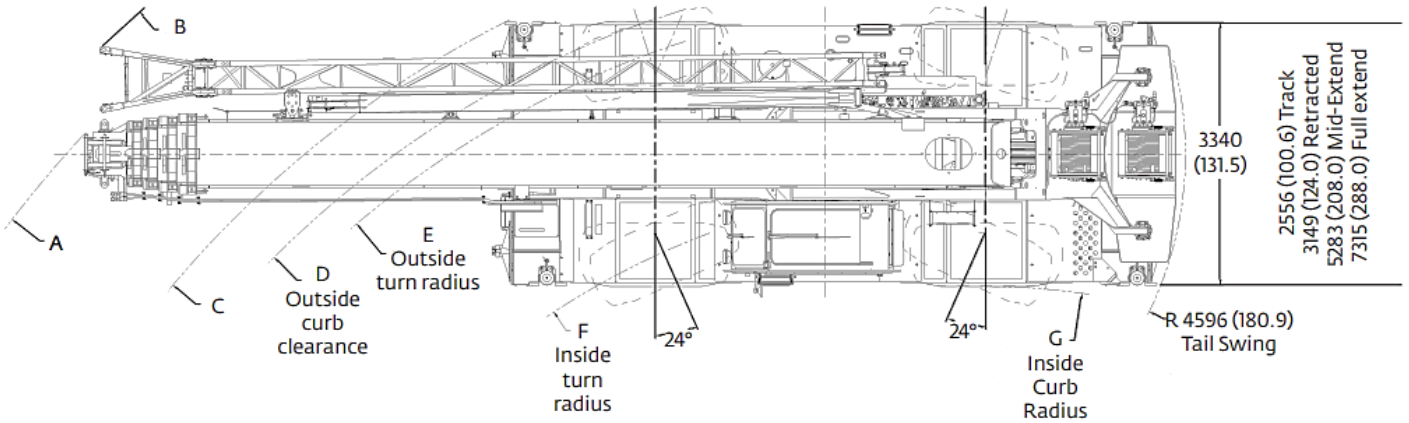


# WITHOUT QUESTION

**IRVING EQUIPMENT LIMITED**  
 1-800-561-CRANE (2726)  
**WWW.IRVINGEQUIPMENT.COM**

## DIMENSIONS

| Tires         | A                | B                | C                | D                | E                | F                | G               | A                | B                | C               | D               | E               | F               | G               |
|---------------|------------------|------------------|------------------|------------------|------------------|------------------|-----------------|------------------|------------------|-----------------|-----------------|-----------------|-----------------|-----------------|
| 29.5 X 25     | 15,7 m<br>(51.5) | 16,3 m<br>(5.35) | 13,6 m<br>(44.6) | 12,9 m<br>(42.3) | 12,5 m<br>(41.0) | 10,1 m<br>(33.1) | 8,8 m<br>(28.9) | 11,1 m<br>(36.4) | 11,6 m<br>(38.1) | 8,4 m<br>(27.6) | 7,8 m<br>(25.6) | 7,3 m<br>(24.0) | 4,9 m<br>(16.1) | 4,1 m<br>(13.5) |
| 2 wheel steer |                  |                  |                  |                  |                  |                  |                 | 4 wheel steer    |                  |                 |                 |                 |                 |                 |



Dimensions are in mm (inches)

## Weights

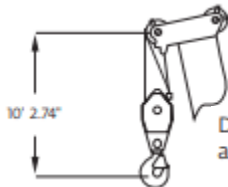
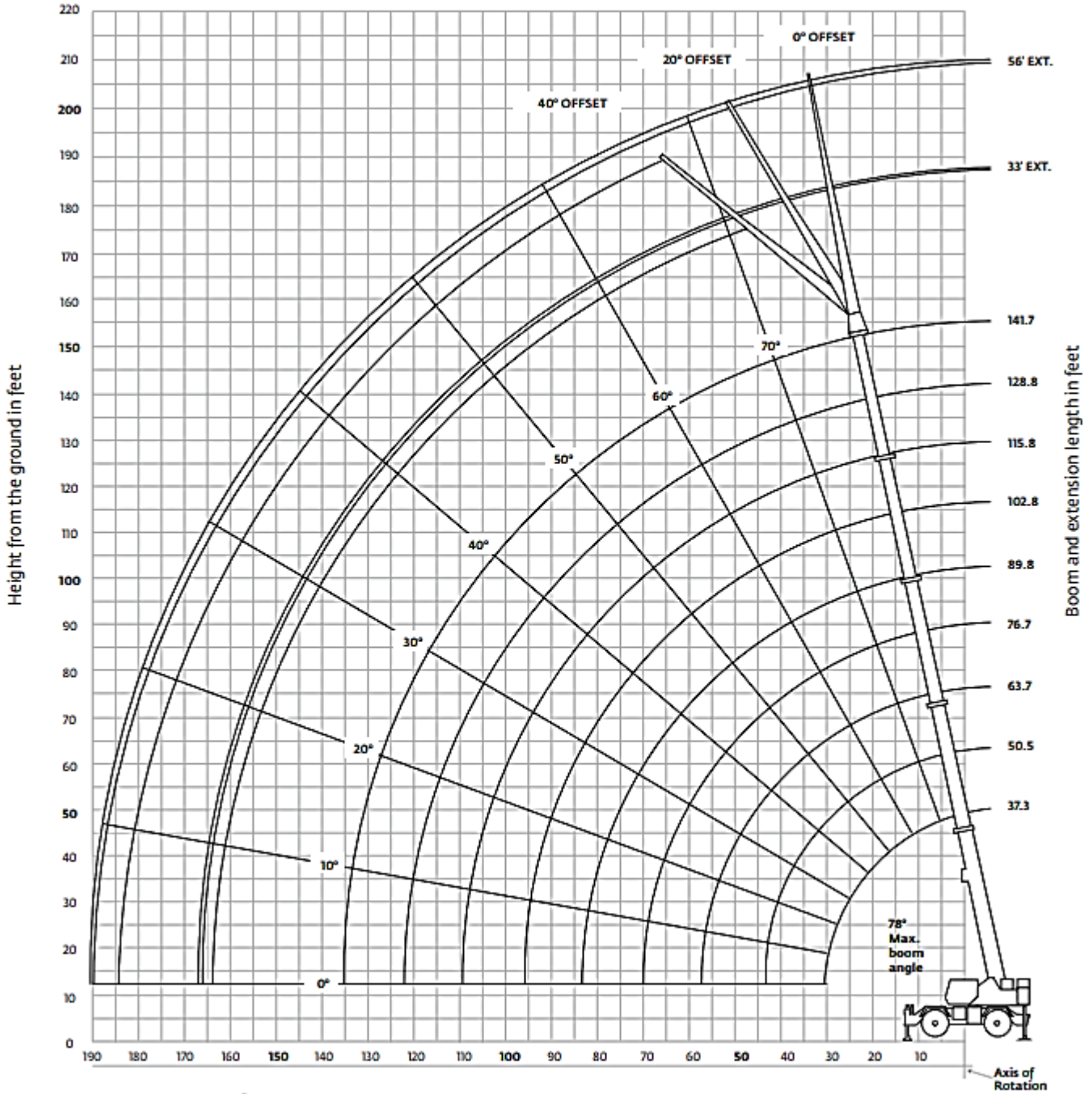
|  | G.V.W.<br>kg (lb)   | Front<br>kg (lb)   | Rear<br>kg (lb)    |
|--|---------------------|--------------------|--------------------|
| <b>Basic Machine</b> including 43,3 m (142 ft) main boom, main and aux. hoist with 182,8 m (600 ft) of rope, manual offsettable bifold swingaway, full counterweight, 9,1 t (10 USt) headache ball, and 80 t (90 USt) hookblock: | 53 178<br>(117,235) | 25 915<br>(57,131) | 27 263<br>(60,104) |
| <b>Substitute:</b> Hydraulic offsettable bifold swing-away   | 53 496<br>(117,937) | 26 394<br>(58,187) | 27 103<br>(59,750) |
| <b>Remove:</b> Counterweight and aux. hoist (manual offsettable S/A)   | 43 250<br>(95,348)  | 30 657<br>(67,587) | 12 592<br>(27,761) |
| <b>Remove:</b> Counterweight and aux. hoist Hyd. offsettable S/A)  | 43 407<br>(95,695)  | 30 930<br>(68,188) | 12 477<br>(27,507) |
| <b>Remove:</b> Counterweight, aux. hoist, and either extension   | 42 227<br>(93,094)  | 27 696<br>(64,058) | 13 171<br>(29,036) |



**WITHOUT  
QUESTION**

**IRVING EQUIPMENT LIMITED**  
 1-800-561-CRANE (2726)  
[WWW.IRVINGEQUIPMENT.COM](http://WWW.IRVINGEQUIPMENT.COM)

**WORKING RANGE**



Dimensions are for largest Grove furnished hook block and headache ball, with anti-two block activated.

