



LIEBHERR LRT1090 2.1 - [100T]



EQUIPMENT SPECIFICATIONS



**WITHOUT
QUESTION**

WWW.IRVINGEQUIPMENT.COM



**WITHOUT
QUESTION**

IRVING EQUIPMENT LIMITED
 1-800-561-CRANE (2726)
WWW.IRVINGEQUIPMENT.COM

LIEBHERR LRT1090 2.1 - [100T]

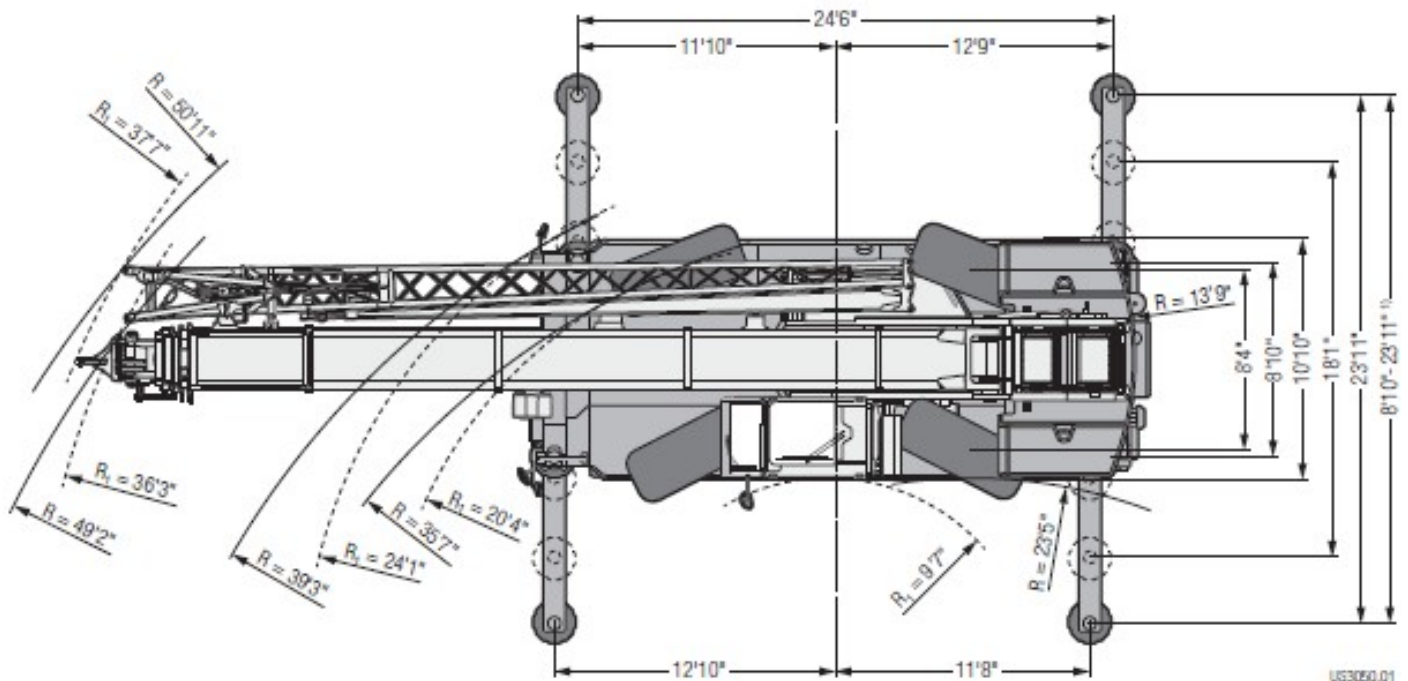
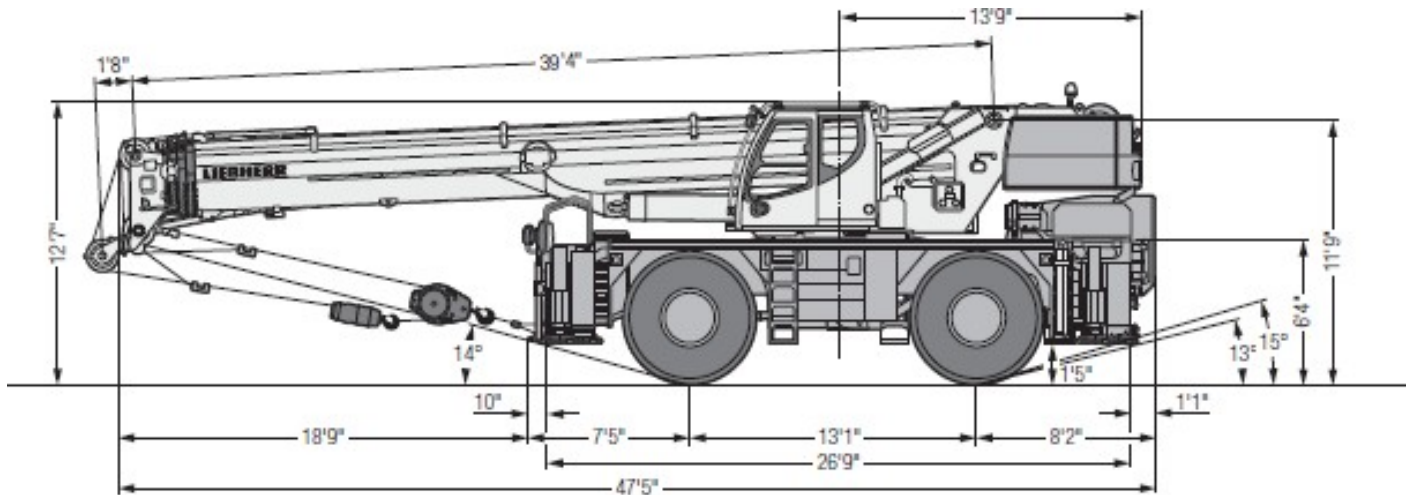
| IDENTIFICATION | |
|---|-----------------------|
| Asset Number | RR4458 |
| Crane Make | Liebherr |
| Crane Model | LRT1090-2.1 |
| Type | 100T Rough-Terrain |
| Serial Number | 053727 |
| DIMENSIONS | |
| Overall length of carrier | 28'6" |
| Overall width of carrier | 10'10" |
| Transportation height | 12'7" |
| Fullspan outriggers c-c | 23'11" |
| Midspan outriggers c-c | 18'1" |
| Outriggers, front to rear length | 24'6" |
| Tailswing radius | 13'9" |
| Center Rot. to rear bumper distance | 14'3" |
| Center Rot. to front bumper distance | 14'3" |
| Operational weight, w/CTWT, jib, ball, 3-sheave clock | 118,001lbs |
| Transportation weight | 85,878lbs |
| No. axles | 2 |
| Dolly | N/A |
| No. dolly axles | N/A |
| OPERATOR FEATURES | |
| Extra-wide operator's cab | Automatic levelling |
| 20-degree tilting upper cab | Vario-base Outriggers |
| Extrudable running boards | ECO mode |
| Flat deck for sure footing. | Full power boom |
| TRANSPORT INFO | |
| Full counterweight | 26,400lbs |
| Fixed jib, length options | 34' – 62' |
| Fixed jib, offset angles | 0o, 20o, 40o |
| Luffing jib, max length | N/A |
| Main boom max. length | 154' |
| ONBOARD EQUIPMENT | |
| Travel Speed | 15.0 mph |
| Drive type | 4WD |
| No. Winches | 2 |
| Line Pull, winch 1 | 14,162lb, 456'/min |
| Line Pull, winch 2 | 14,162lb, 456'/min |
| Gradeability | 60% |



**WITHOUT
QUESTION**

IRVING EQUIPMENT LIMITED
1-800-561-CRANE (2726)
WWW.IRVINGEQUIPMENT.COM

LIEBHERR LRT1090 2.1 - [100T]



US30260.01

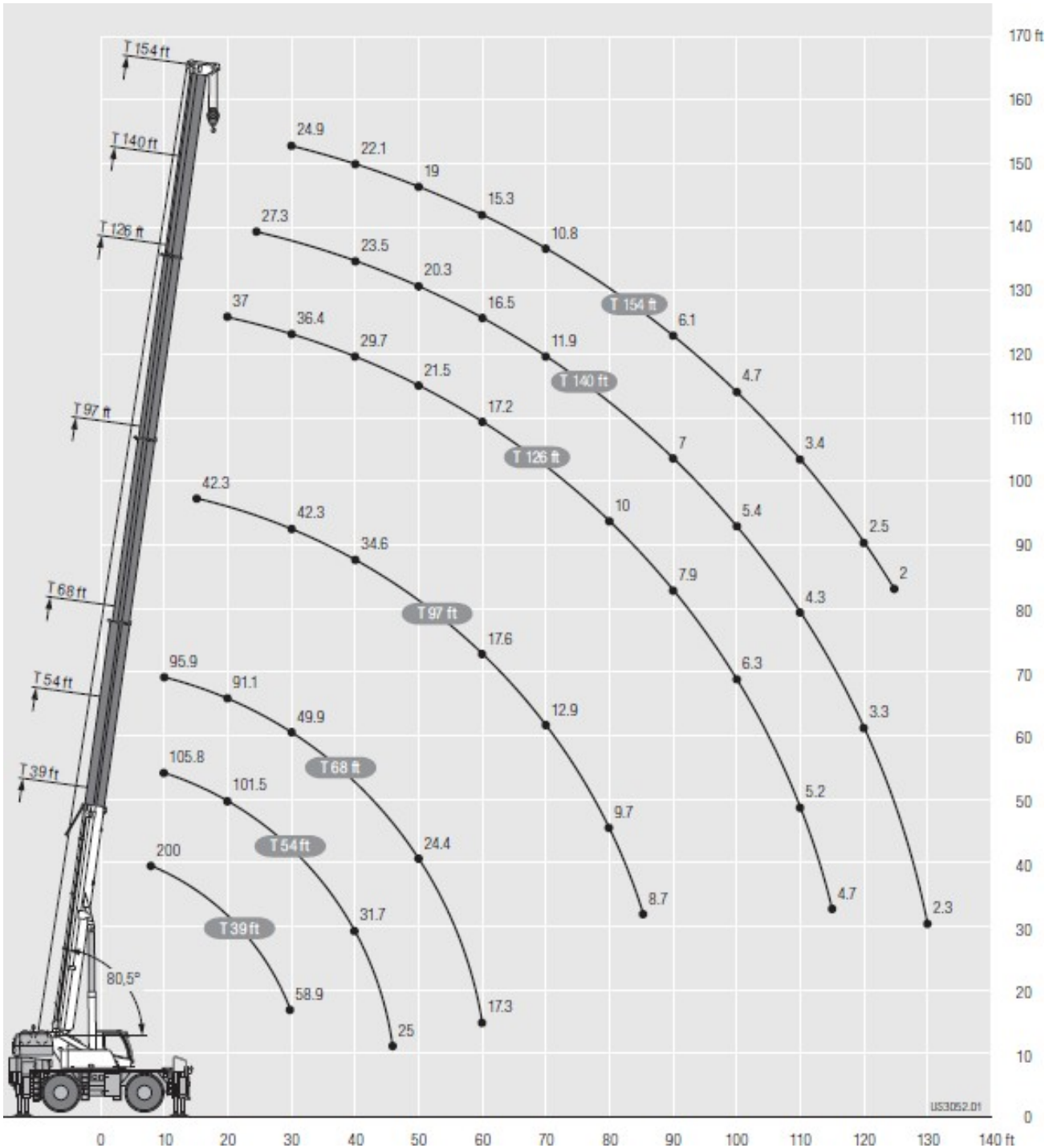


WITHOUT QUESTION

IRVING EQUIPMENT LIMITED
1-800-561-CRANE (2726)
WWW.IRVINGEQUIPMENT.COM

LIEBHERR LRT1090 2.1 - [100T]

CAPACITY/RANGE INFO



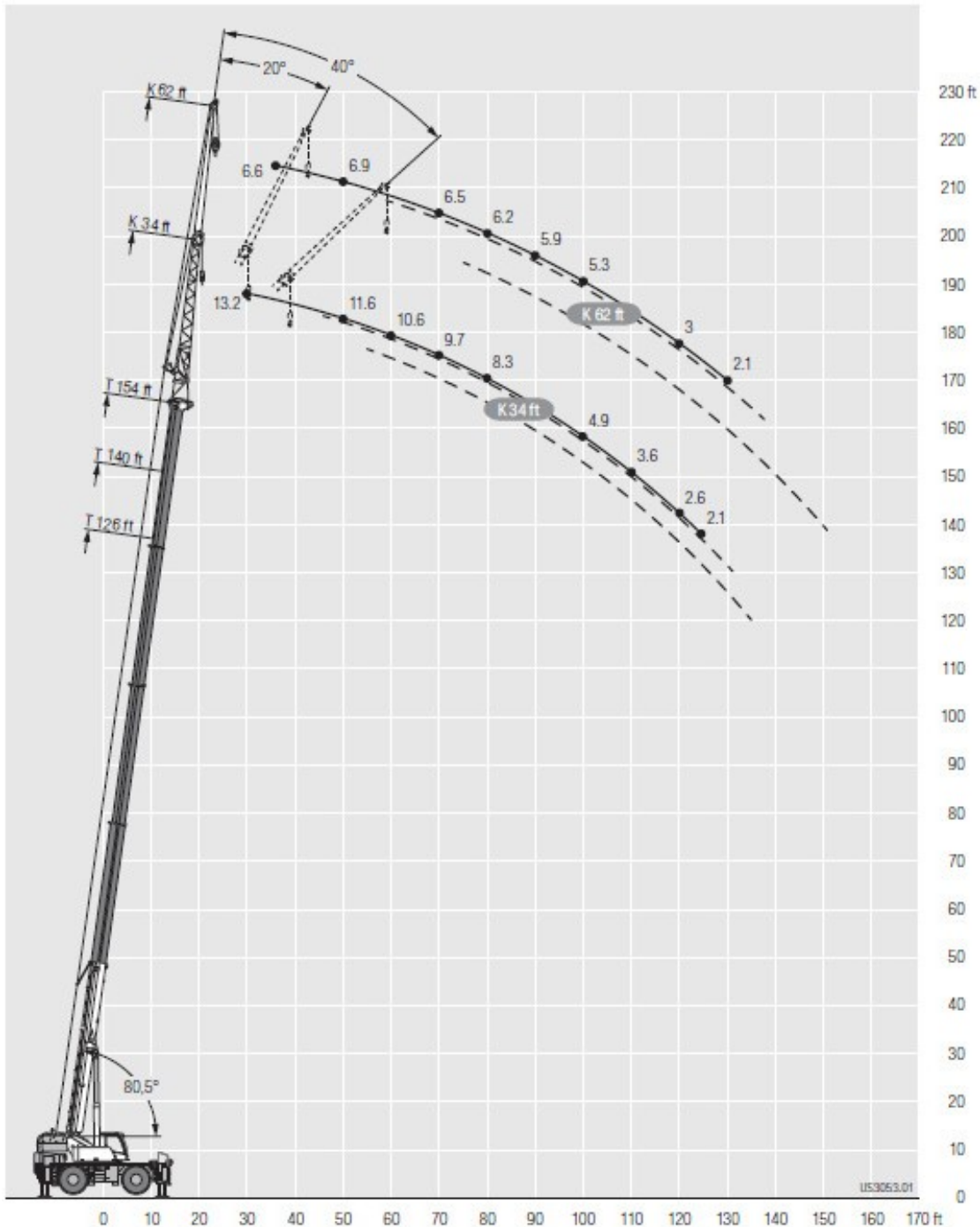


**WITHOUT
QUESTION**

IRVING EQUIPMENT LIMITED
 1-800-561-CRANE (2726)
WWW.IRVINGEQUIPMENT.COM

LIEBHERR LRT1090 2.1 - [100T]

CAPACITY/RANGE INFO



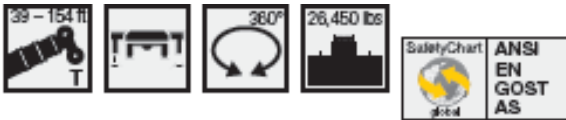


**WITHOUT
QUESTION**

IRVING EQUIPMENT LIMITED
 1-800-561-CRANE (2726)
WWW.IRVINGEQUIPMENT.COM

LIEBHERR LRT1090 2.1 - [100T]

LIFTING CAPACITIES



| | 39 ft | 54 ft | 68 ft | 97 ft | 126 ft | 140 ft | 154 ft | |
|-----|--------|-------|-------|-------|--------|--------|--------|-----|
| 8 | 200** | | | | | | | 8 |
| 10 | 175.1* | 105.8 | 95.9 | | | | | 10 |
| 15 | 131.8 | 105.8 | 95.9 | 42.3 | | | | 15 |
| 20 | 105.2 | 101.5 | 91.1 | 42.3 | 37 | | | 20 |
| 25 | 79.8 | 74.8 | 67.5 | 42.3 | 37 | 27.3 | | 25 |
| 30 | 58.9 | 55.2 | 49.9 | 42.3 | 36.4 | 26.6 | 24.9 | 30 |
| 35 | | 41.2 | 42.3 | 39.1 | 33.2 | 25.3 | 23.6 | 35 |
| 40 | | 31.7 | 36.7 | 34.6 | 29.7 | 23.5 | 22.1 | 40 |
| 45 | | 25 | 29.6 | 29.7 | 25.4 | 21.8 | 20.5 | 45 |
| 50 | | | 24.4 | 24.6 | 21.5 | 20.3 | 19 | 50 |
| 55 | | | 20.4 | 20.7 | 18.5 | 18.8 | 17.4 | 55 |
| 60 | | | 17.3 | 17.6 | 17.2 | 16.5 | 15.3 | 60 |
| 65 | | | | 15 | 15.3 | 14 | 12.8 | 65 |
| 70 | | | | 12.9 | 13.1 | 11.9 | 10.8 | 70 |
| 75 | | | | 11.1 | 11.3 | 10.2 | 9.3 | 75 |
| 80 | | | | 9.7 | 10 | 8.9 | 8.1 | 80 |
| 85 | | | | 8.7 | 8.8 | 7.9 | 7 | 85 |
| 90 | | | | | 7.9 | 7 | 6.1 | 90 |
| 95 | | | | | 7.1 | 6.2 | 5.3 | 95 |
| 100 | | | | | 6.3 | 5.4 | 4.7 | 100 |
| 105 | | | | | 5.7 | 4.8 | 4 | 105 |
| 110 | | | | | 5.2 | 4.3 | 3.4 | 110 |
| 115 | | | | | 4.7 | 3.7 | 3 | 115 |
| 120 | | | | | | 3.3 | 2.5 | 120 |
| 125 | | | | | | 2.8 | 2 | 125 |
| 130 | | | | | | 2.3 | | 130 |

* only with additional pulley block / seulement avec moufle additionnel

** only with additional special equipment / seulement avec équipement supplémentaire



**WITHOUT
QUESTION**

IRVING EQUIPMENT LIMITED
1-800-561-CRANE (2726)
WWW.IRVINGEQUIPMENT.COM

LIEBHERR LRT1090 2.1 - [100T]

LIFTING CAPACITIES



| Jib T | 39 ft | | | 54 ft | | | 68 ft | | | 97 ft | | | 126 ft | | | 140 ft | | | 154 ft | | | Jib T |
|----------|-------|-----|-----|-------|-----|-----|-------|-----|-----|-------|-----|-----|--------|-----|-----|--------|-----|-----|--------|-----|-----|----------|
| | 62 ft | | | 62 ft | | | 62 ft | | | 62 ft | | | 62 ft | | | 62 ft | | | | | | |
| | 0° | 20° | 40° | 0° | 20° | 40° | 0° | 20° | 40° | 0° | 20° | 40° | 0° | 20° | 40° | 0° | 20° | 40° | 0° | 20° | 40° | |
| 10 | 7.9 | | | | | | | | | | | | | | | | | | | | | 10 |
| 15 | 8.3 | | | 8.1 | | | 7.9 | | | | | | | | | | | | | | | 15 |
| 20 | 8.2 | | | 8.3 | | | 8.3 | | | 7.9 | | | | | | | | | | | | 20 |
| 25 | 7.9 | | | 8.2 | | | 8.2 | | | 8.2 | | | 7.9 | | | | | | | | | 25 |
| 30 | 7.6 | 6.6 | | 7.9 | | | 8.1 | | | 8.3 | | | 8.2 | | | 7.2 | | | | | | 30 |
| 35 | 7.3 | 6.6 | | 7.6 | 6.6 | | 7.9 | 6.6 | | 8.2 | | | 8.3 | | | 7.3 | | | 6.6 | | | 35 |
| 40 | 7 | 6.4 | | 7.4 | 6.6 | | 7.6 | 6.6 | | 8.1 | 6.6 | | 8.2 | | | 7.4 | | | 6.7 | | | 40 |
| 45 | 6.7 | 6.2 | | 7.1 | 6.4 | | 7.4 | 6.6 | | 7.9 | 6.6 | | 8.2 | | | 7.6 | | | 6.8 | | | 45 |
| 50 | 6.5 | 5.9 | 5.3 | 6.8 | 6.2 | 5.3 | 7.2 | 6.3 | | 7.7 | 6.5 | | 8 | 6.4 | | 7.4 | | | 6.9 | | | 50 |
| 55 | 6.2 | 5.7 | 5.2 | 6.6 | 5.9 | 5.2 | 6.9 | 6.1 | 5.3 | 7.5 | 6.3 | | 7.7 | 6.2 | | 7.2 | 6 | | 6.9 | | | 55 |
| 60 | 5.8 | 5.5 | 5 | 6.4 | 5.7 | 5.1 | 6.7 | 5.9 | 5.2 | 7.3 | 6.1 | 5.2 | 7.5 | 6.1 | | 7.1 | 5.9 | | 6.8 | 5.8 | | 60 |
| 65 | 5.4 | 5.3 | 4.9 | 6.1 | 5.5 | 5 | 6.5 | 5.7 | 5.1 | 7.1 | 5.9 | 5.1 | 7.3 | 5.9 | 5.1 | 6.9 | 5.8 | | 6.6 | 5.7 | | 65 |
| 70 | 5 | 5.2 | 4.9 | 5.8 | 5.4 | 4.9 | 6.3 | 5.5 | 5 | 6.9 | 5.8 | 5 | 7 | 5.8 | 5 | 6.7 | 5.6 | 5 | 6.5 | 5.6 | | 70 |
| 75 | 4.7 | 4.9 | 4.8 | 5.4 | 5.2 | 4.8 | 6 | 5.4 | 4.9 | 6.7 | 5.6 | 5 | 6.8 | 5.7 | 5 | 6.5 | 5.5 | 4.9 | 6.4 | 5.5 | 4.9 | 75 |
| 80 | 4.4 | 4.6 | 4.8 | 5.1 | 5.1 | 4.8 | 5.7 | 5.3 | 4.9 | 6.5 | 5.5 | 4.9 | 6.6 | 5.5 | 4.9 | 6.4 | 5.4 | 4.9 | 6.2 | 5.4 | 4.8 | 80 |
| 85 | 4.2 | 4.3 | 4.5 | 4.8 | 4.9 | 4.8 | 5.4 | 5.2 | 4.8 | 6.3 | 5.4 | 4.9 | 6.4 | 5.4 | 4.9 | 6.2 | 5.3 | 4.8 | 6.1 | 5.3 | 4.8 | 85 |
| 90 | 3.9 | 4 | | 4.5 | 4.6 | 4.7 | 5.1 | 5 | 4.8 | 6 | 5.3 | 4.8 | 6.2 | 5.3 | 4.8 | 6 | 5.2 | 4.8 | 5.9 | 5.2 | 4.7 | 90 |
| 95 | | | | 4.3 | 4.4 | 4.5 | 4.9 | 4.9 | 4.8 | 5.8 | 5.2 | 4.8 | 6 | 5.2 | 4.8 | 5.9 | 5.2 | 4.7 | 5.7 | 5.1 | 4.7 | 95 |
| 100 | | | | 4.1 | 4.2 | | 4.6 | 4.6 | 4.7 | 5.6 | 5.1 | 4.8 | 5.6 | 5.2 | 4.8 | 5.7 | 5.1 | 4.7 | 5.3 | 5.1 | 4.7 | 100 |
| 105 | | | | 3.9 | 4 | | 4.4 | 4.4 | 4.5 | 5.4 | 5 | 4.8 | 5.4 | 5.1 | 4.7 | 5.4 | 5 | 4.7 | 4.7 | 5 | 4.7 | 105 |
| 110 | | | | | | | 4.2 | 4.2 | 4.4 | 5.2 | 4.9 | 4.8 | 5.2 | 5 | 4.7 | 4.9 | 4.9 | 4.7 | 4.1 | 4.9 | 4.6 | 110 |
| 115 | | | | | | | 4 | 4.1 | | 5 | 4.8 | 4.8 | 5 | 4.8 | 4.7 | 4.3 | 4.8 | 4.7 | 3.6 | 4.5 | 4.6 | 115 |
| 120 | | | | | | | 3.9 | 3.9 | | 4.8 | 4.7 | 4.7 | 4.6 | 4.7 | 4.6 | 3.8 | 4.6 | 4.6 | 3 | 4 | 4.5 | 120 |
| 125 | | | | | | | | | | 4.6 | 4.5 | 4.6 | 4.2 | 4.5 | 4.5 | 3.4 | 4.1 | 4.5 | 2.5 | 3.5 | 4.1 | 125 |
| 130 | | | | | | | | | | 4.3 | 4.4 | 4.4 | 3.9 | 4.3 | 4.4 | 3 | 3.7 | 4.1 | 2.1 | 3 | 3.6 | 130 |
| 135 | | | | | | | | | | 3.9 | 4.2 | | 3.5 | 3.9 | 4.3 | 2.6 | 3.2 | 3.7 | | 2.6 | 3.2 | 135 |
| 140 | | | | | | | | | | 3.6 | 3.8 | | 3.1 | 3.6 | 3.9 | 2.3 | 2.9 | 3.3 | | 2.1 | 2.7 | 140 |
| 145 | | | | | | | | | | 3.3 | 3.5 | | 2.8 | 3.2 | 3.5 | 1.9 | 2.5 | 2.9 | | | 2.3 | 145 |
| 150 | | | | | | | | | | 2.9 | | | 2.5 | 2.9 | 3.1 | | 2.1 | 2.5 | | | 1.8 | 150 |
| 155 | | | | | | | | | | | | | 2.2 | 2.5 | 2.7 | | 2.1 | | | | | 155 |
| 160 | | | | | | | | | | | | | 1.8 | 2.2 | | | | | | | | 160 |
| 165 | | | | | | | | | | | | | | 1.9 | | | | | | | | 165 |

t_252_00211_00_001

- ✓ FULL-SERVICE PROVIDER FOR CRANE RENTAL, RIGGING, AND LIFT PLANNING.
- ✓ DAILY, WEEKLY, MONTHLY RATES AVAILABLE
- ✓ DRY-LEASE AND LONG-TERM RENTALS
- ✓ OUR PURPOSE IS TO LEAVE 'NO ROOM FOR DOUBT'!