



GROVE TMS9000E (110T)



EQUIPMENT SPECIFICATIONS



**WITHOUT
QUESTION**

WWW.IRVINGEQUIPMENT.COM



WITHOUT QUESTION

IRVING EQUIPMENT LIMITED
 1-800-561-CRANE (2726)
WWW.IRVINGEQUIPMENT.COM

INFO

IDENTIFICATION

Asset Number	Multiple
Crane Make	Grove
Crane Model	TMS9000E
Type	110T Hydraulic
Serial Number	Multiple

DIMENSIONS

Overall length of carrier	43'8.5"
Overall width of carrier	8'4.6"
Transportation height	11'8.01"
Fullspan outriggers c-c	24'
Midspan outriggers c-c	15'5"
Outriggers, front to rear length	18'4"
Tailswing radius	14'1.5"
Overall length, boom in rest.	36'
Center of rotation to back bumper	11'11"
Center of rotation to front bumper	25'2.5"
Weight, counterweight removed	86,350lbs
Counterweight & jib removed	
Dolly	2-Axle

FEATURES

5-Section Full-Power MEGAFORM Boom
TWIN-LOCK Boom Pinning Section
Superstructure Cab Tilttable to +20°
Cummins ISM 450 hp, 6-Cylindar Turbo-Charged, After-Cooling Engine
Max 48,500lb Counterweight w/ Hydraulic removal System

HOISTING INFO

Full counterweight	48,500lbs
Fixed jib, length options	33', 56', 72', 88'
Fixed jib, offset angles	0°, 20°, 40°
Luffing jib	Live, hydraulic
Main boom max. length	142'
Swing speed	1.7rpm
Travel Speed	105kmh
Tank Capacity	508L
Hook blocks	Ball, 1-shv, 3-shv, 5shv
Line Pull, max. single line	15,700lbs
Max line speed	365fpm
Gradeability	70°
Hoist rope length	738'
Hoist rope diameter	3/4"

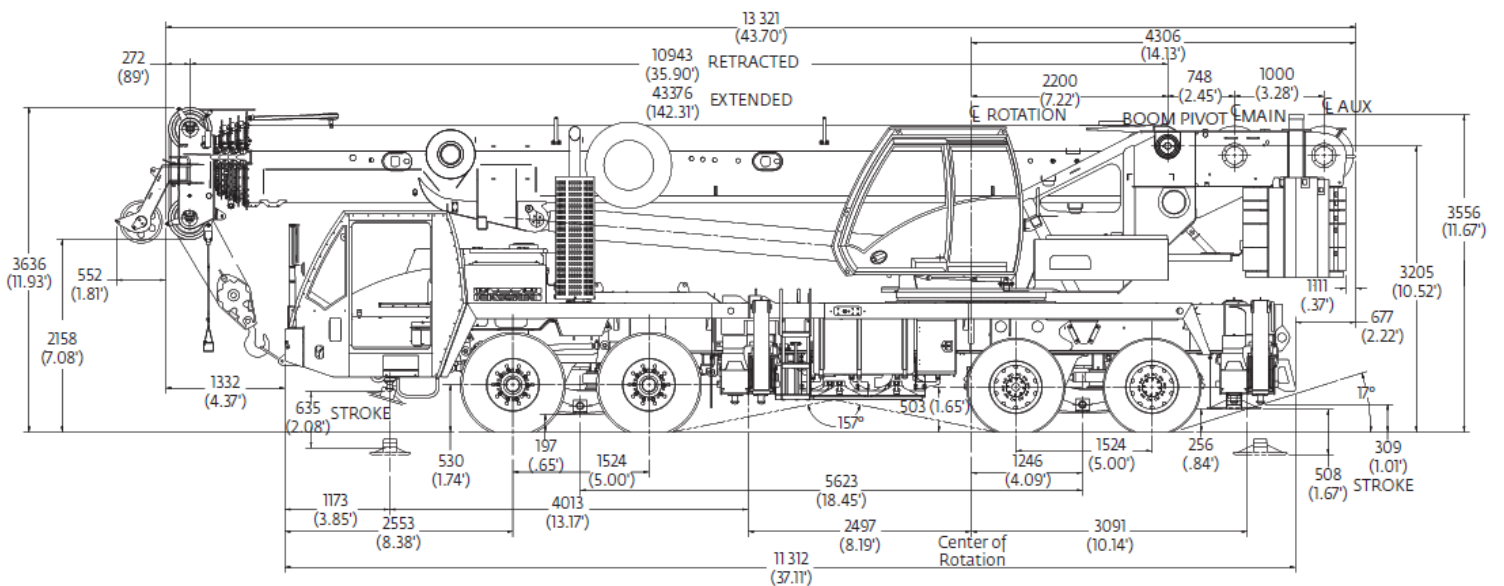
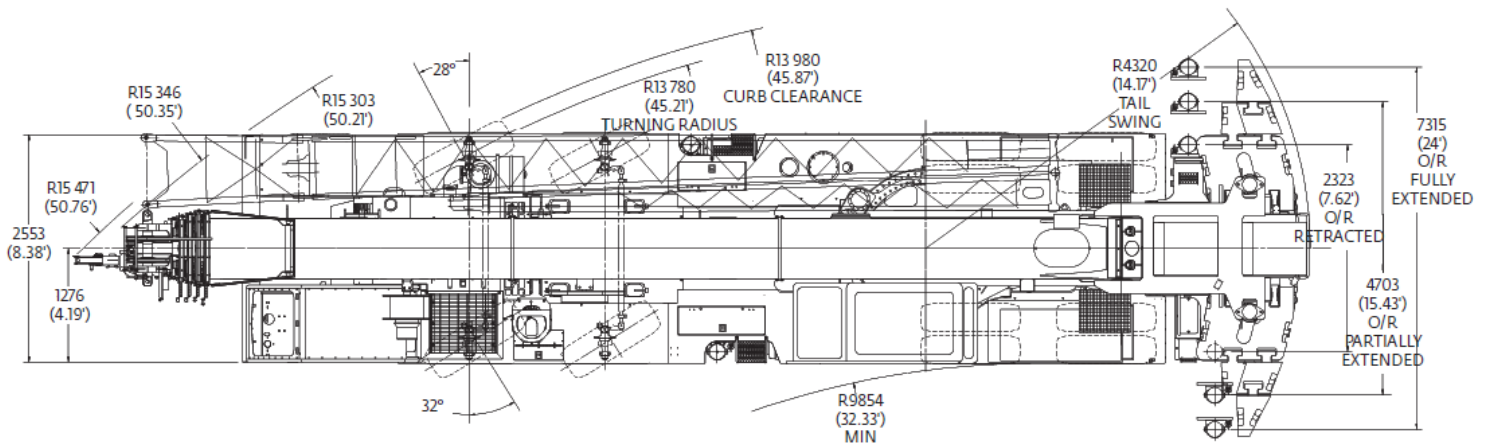




**WITHOUT
QUESTION**

IRVING EQUIPMENT LIMITED
 1-800-561-CRANE (2726)
WWW.IRVINGEQUIPMENT.COM

KEY DIMENSIONS

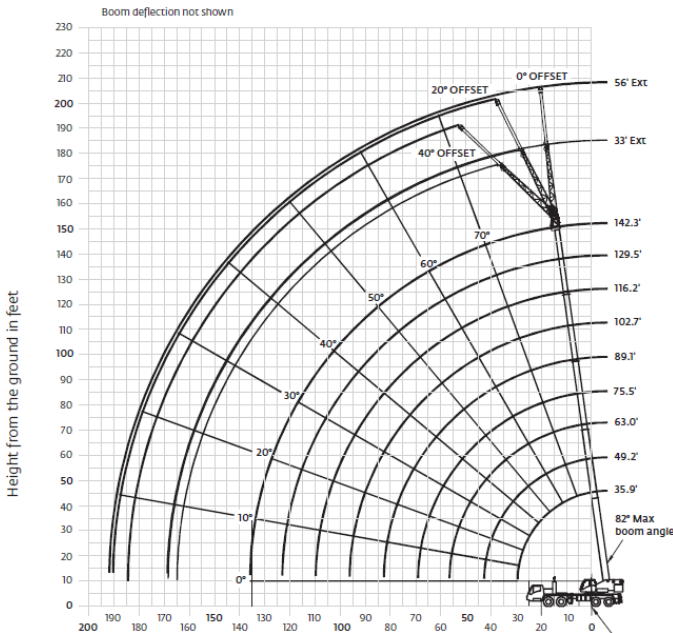




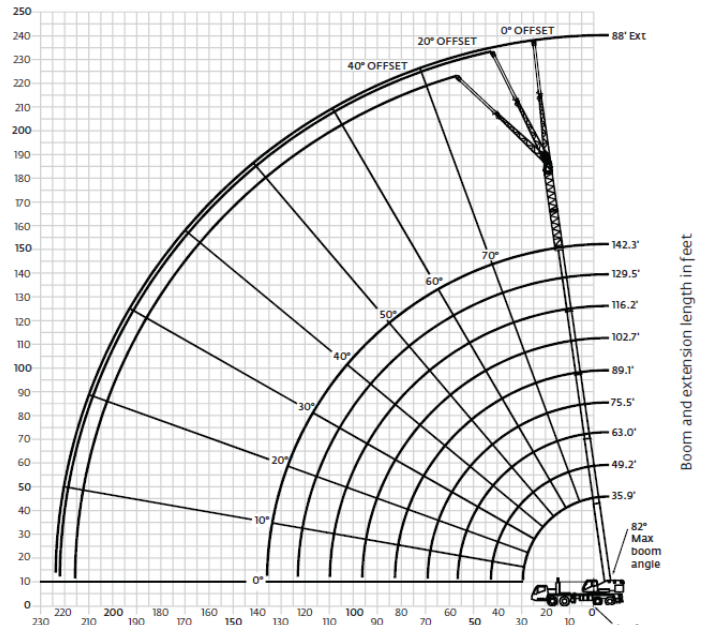
WITHOUT QUESTION

IRVING EQUIPMENT LIMITED
 1-800-561-CRANE (2726)
 WWW.IRVINGEQUIPMENT.COM

CAPACITY/RANGE INFO



Main boom



Main boom, manual extension and inserts

- 36 ft - 142 ft Fixed lengths
- 0 lb
- 100% 24 ft 0 in
- 360°

Feet	35.9'	49.2'	63.0'	75.5'	89.1'	102.7'	116.2'	129.5'	142.3'
10	158,500	138,000	130,500	111,000	83,000				
12	141,500	138,000	129,500	111,000	83,000				
15	110,000	112,000	111,500	111,000	83,000				
20	75,800	77,850	78,200	78,900	79,000	60,150	44,500	33,450	
25		50,650	51,950	51,750	50,650	49,800	44,500	33,450	26,700
30	35,900	37,100	38,400	37,950	37,550	37,550	33,450	26,700	
35	26,450	27,850	28,900	28,850	28,850	28,300	27,750	26,700	
40	20,350	21,600	22,500	22,550	22,550	22,050	21,500	20,700	
45		17,300	18,200	18,550	18,550	17,950	16,400		
50		14,150	15,050	15,000	15,000	14,550	14,300	13,350	
55			10,550	12,550	12,500	12,300	11,650	10,950	
60			10,600	10,550	10,550	10,350		9,030	
70				7,970	7,970	7,750	6,940		
75				6,570	6,560	6,160	5,740	5,090	
80					5,620	5,230	4,810	4,170	
85						4,620	4,420	3,370	
90						4,120	3,720	2,680	
95							3,900	2,690	
100							2,560	2,150	1,530
105								2,070	1,050
110									1,240
115									
120									

- 142 ft Fixed lengths
- 33 ft - 56 ft / 72 ft - 88 ft Manual offsettable swingaway
- 48,500 lb
- 100% 24 ft 0 in
- 360°

Feet	Pounds (thousands)																
	0°	142.3' + 33'	20°	40°	0°	142.3' + 56'	20°	40°	0°	142.3' + 72'	20°	40°	0°	142.3' + 88'	20°	40°	
30	13,650																
35	13,650					8470											
40	13,650					8470											
45	13,650	14,200				8470				6920							5520
50	13,650	14,200	12,200			8470	8700			6920							5520
55	13,650	14,200	12,200	8470		8470	8700	6640		6920	7440						5520
60	13,650	14,200	12,200	8470	8570					6920	7440						5520
65	13,650	14,200	12,200	8470	8620					6920	7440						5520
70	13,650	14,200	12,200	8470	8380					6920	7440						5520
75	13,650	12,900	12,200	8470	7940	6640				6920	7440	6370					5520
80	13,650	12,250	12,200	8470	7720	6530	6920			7430	6370	5520	5480				5330
85	11,650	11,600	11,850	8470	7530	6440	6920	7330	6370	5520	5420	5520	5420				5330
90	11,000	11,050	11,250	8470	7340	6350	6920	7240	6350	5520	5330	5330	5330				5330
100	10,450	10,500	10,700	8470	7170	6280	6920	7140	6270	5520	5290	5290	5290				5290
105	8860	9390	10,200	8470	7020	6200	7040	6200	7040	6200	5440	5440	5440				5290
110	8290	9510	9720	8340	6870	6140	6920	6840	6140	5350	5160	5200	5200				5200
115	8790	8980	9360	8100	6740	6090	6920	6630	6090	5370	5100	5100	5100				5100
120	8250	8470	8720	7770	6610	6050	6710	6430	6040	5180	5040	5100	5100				5100
125	7790	7990	8210	7420	6490	6010	6490	6240	6010	5100	4990	5050	5050				5050
130	7350	7510	7610	7190	6370	5970	6370	6090	5970	5210	5010	5010	5010				5010
135	6970	6890		6770	6290	5970	6020	5880	5950	4930	4850	4920	4920				4920
140	610	610		6460	6200	5970	5940	5710	5800	4840	4760	4860	4860				4860
145	5630	5780		6070	6130	5970	5470	5560	5660	4670	4600	4720	4720				4720
150	5760	5280		5600	6000	5970	5220	5410	5530	4530	4460	4580	4580				4580
155	4740	4600		5160	5530	5660	4980	4980	5410	4360	4300	4460	4460				4460
160	4340			4750	5070		4590	4950	5180	4220	4190	4320	4320				4320
165	3990			4370	4640		4200	4550	4720	4020	4050	4200	4200				4200
170				4020	4240		3840	4160		3760	3950	4090	4090				4090
175				3690	3860		3500	3790		3420	3710	3930	3930				3930
180				3380	3500		3190	3430		3100	3420	3550	3550				3550
185				3080			2890	3100		2800	3090						3090
190				2830			2620	2780		2510	2770						2770
195				2560			2360	2480		2250	2470						2470
200							2100			2000	2190						2190
205							1910			1770	1920						1920
210										1590	1660						1660
215										1340							1340
220										1160							1160

- ✓ FULL-SERVICE PROVIDER FOR CRANE RENTAL, RIGGING, AND LIFT PLANNING.
- ✓ DAILY, WEEKLY, MONTHLY RATES AVAILABLE
- ✓ DRY-LEASE AND LONG-TERM RENTALS
- ✓ OUR PURPOSE IS TO LEAVE 'NO ROOM FOR DOUBT'!