



MANITOWOC 12000 – (120T)



EQUIPMENT SPECIFICATIONS



**WITHOUT
QUESTION**

WWW.IRVINGEQUIPMENT.COM



WITHOUT QUESTION

IRVING EQUIPMENT LIMITED
1-800-561-CRANE (2726)
WWW.IRVINGEQUIPMENT.COM

INFO

IDENTIFICATION

Asset Number	CR254,255
Crane Make	Manitowoc
Crane Model	12000
Type	120T Crawler
Serial Number	Multiple

DIMENSIONS

Overall length crawlers	22'2"
Overall width of crawlers, Extended (retracted)	17'5" (13'6")
Crawler pad width	3'
Gantry Height	24'3"
Tailswing radius	16'5"

TRANSPORT / ASSEMBLY

Transport loads (230' main+70' jib)	6
Transportation, heaviest load	94,052lbs
Self-erect capable	
Gradeability	30%
Ground Pressure (basic boom, no load)	Approx. 13.5 psi
Blocks	Ball, 1 & 3 Sheave

OPERATOR FEATURES

Enclosed, full vision cab
Hydraulic shaft drivetrain
FACT boom connections
Manitowoc EPIC control system
Free-fall mode

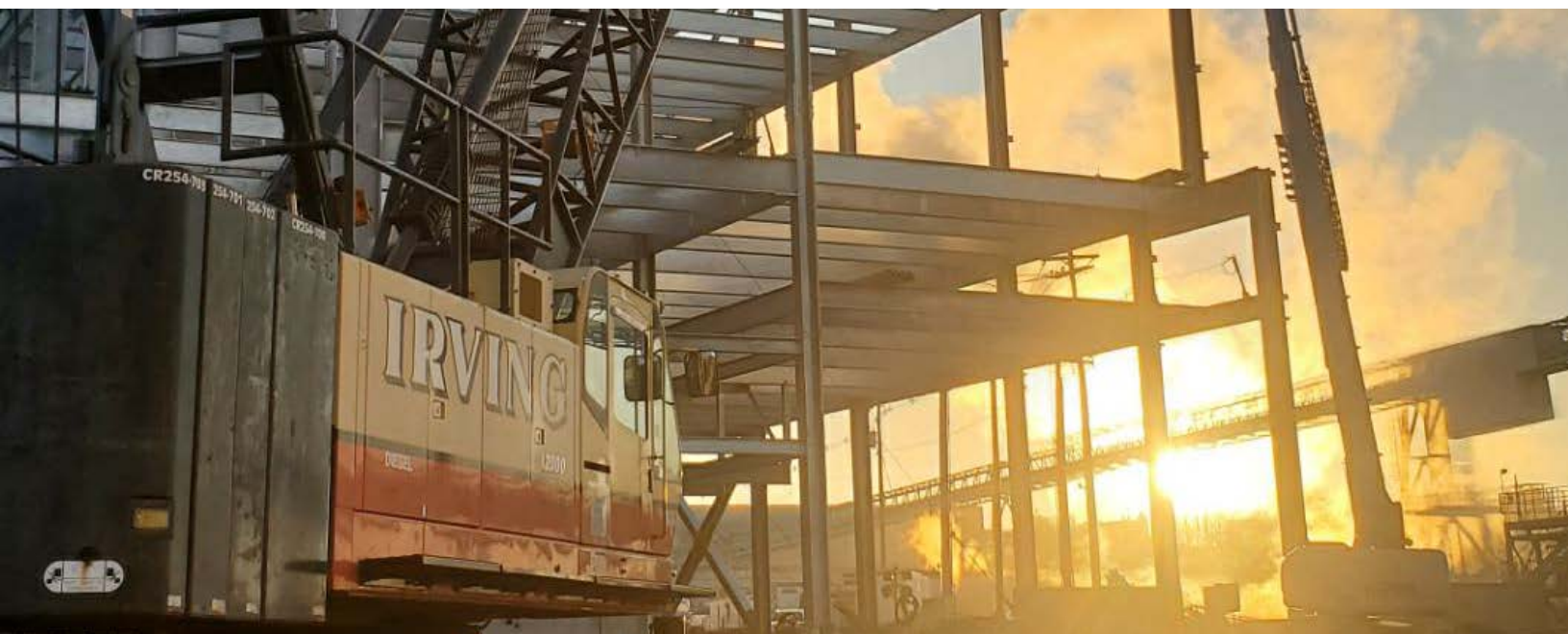
AVAILABLE EQUIPMENT

Crane counterweight, (SERIES 3)	219,600lb
Carbody ballast weight	141,096lb
Fixed jib, offset angles	10°, 30°
Main boom max. length	200'
Luffing jib, max length	N/A
Fixed Jib	60'

ONBOARD EQUIPMENT

Hoist Winches	Main & Auxiliary
Main Drum Capacity	853' of 1" dia.
Line Pull (max. allowable)	25,100lbs
Line Speed, Layer 1	394ft/min
Line Speed, Layer 6	535ft/min

Detachable upper boom point

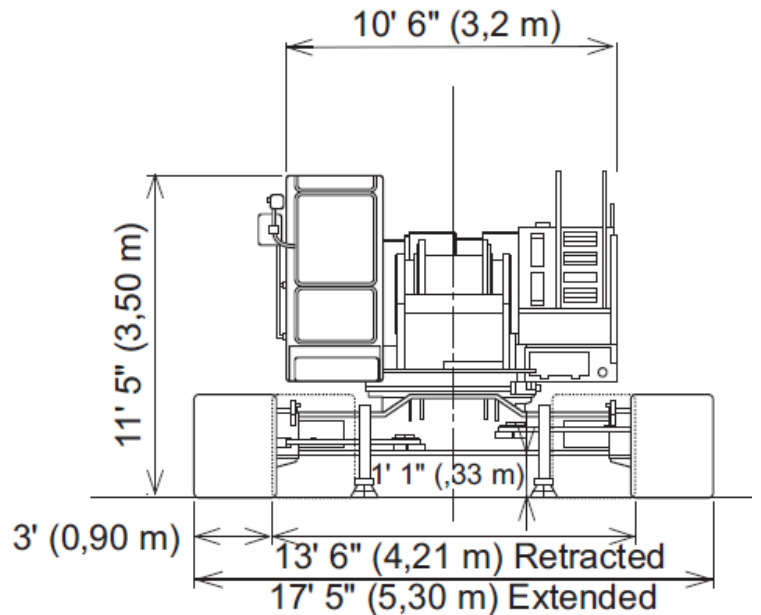
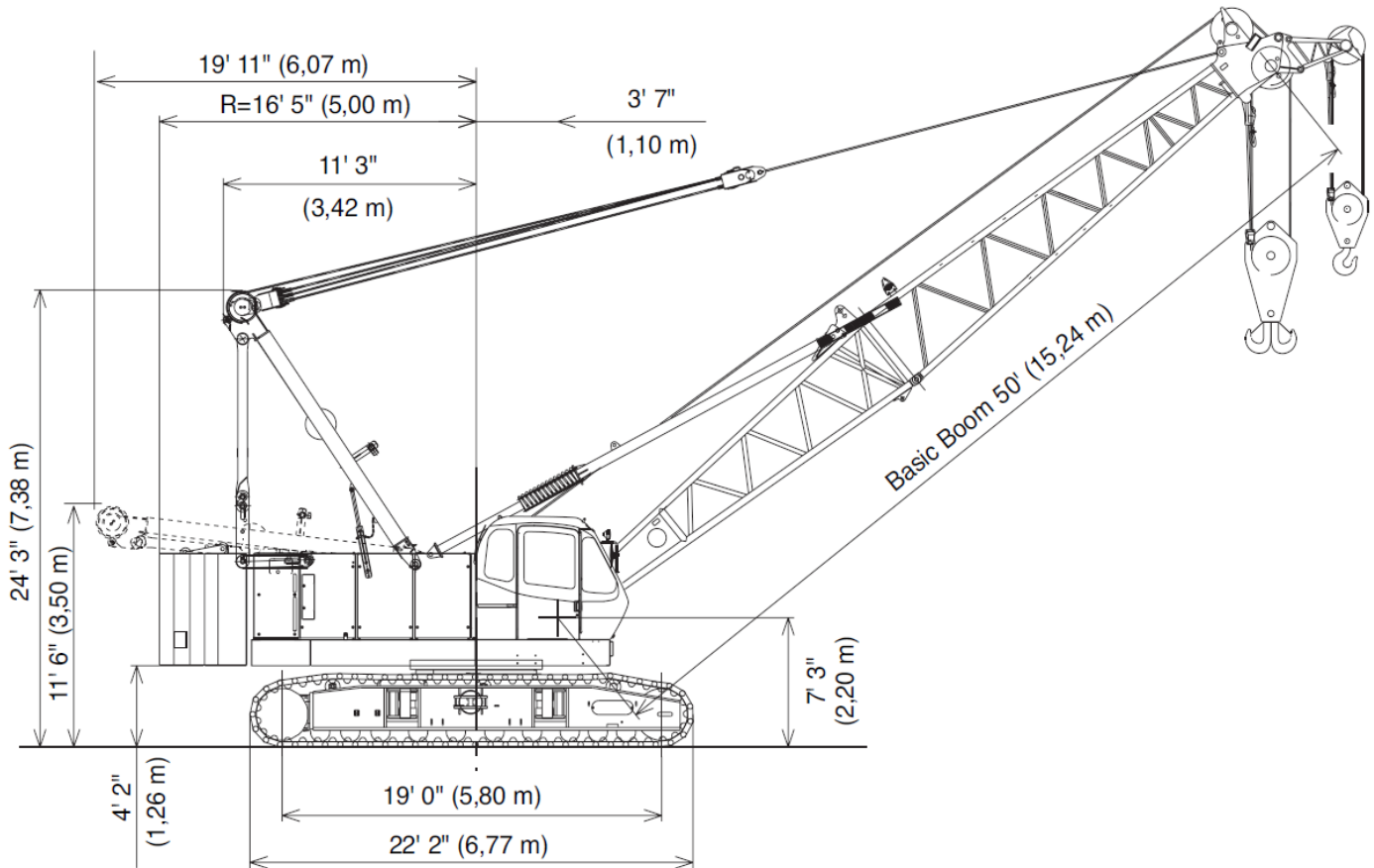




**WITHOUT
QUESTION**

IRVING EQUIPMENT LIMITED
 1-800-561-CRANE (2726)
WWW.IRVINGEQUIPMENT.COM

KEY DIMENSIONS





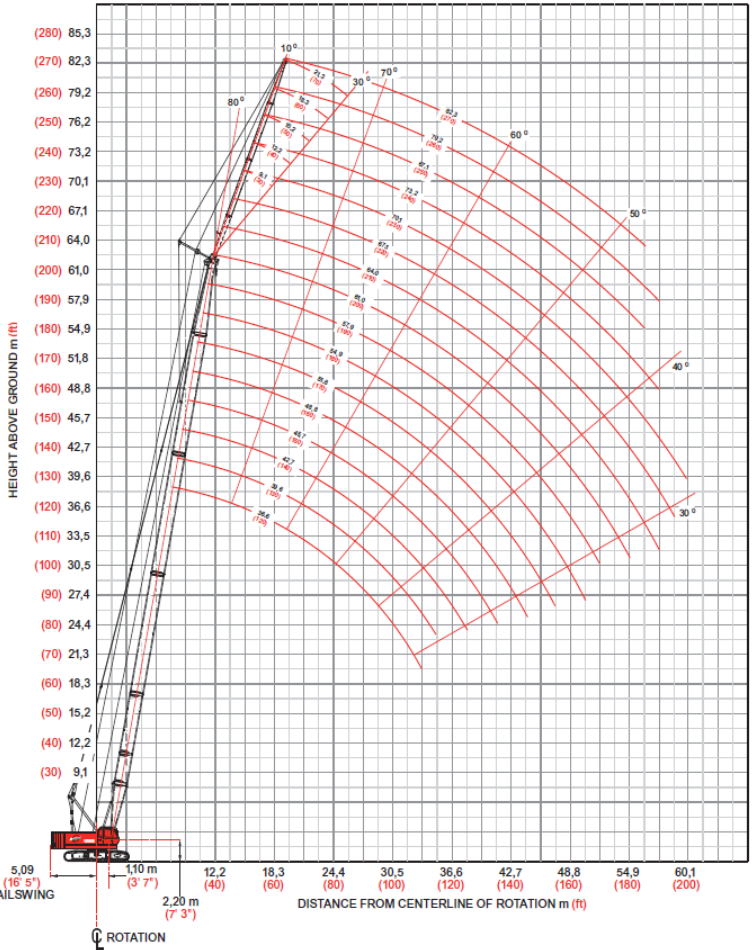
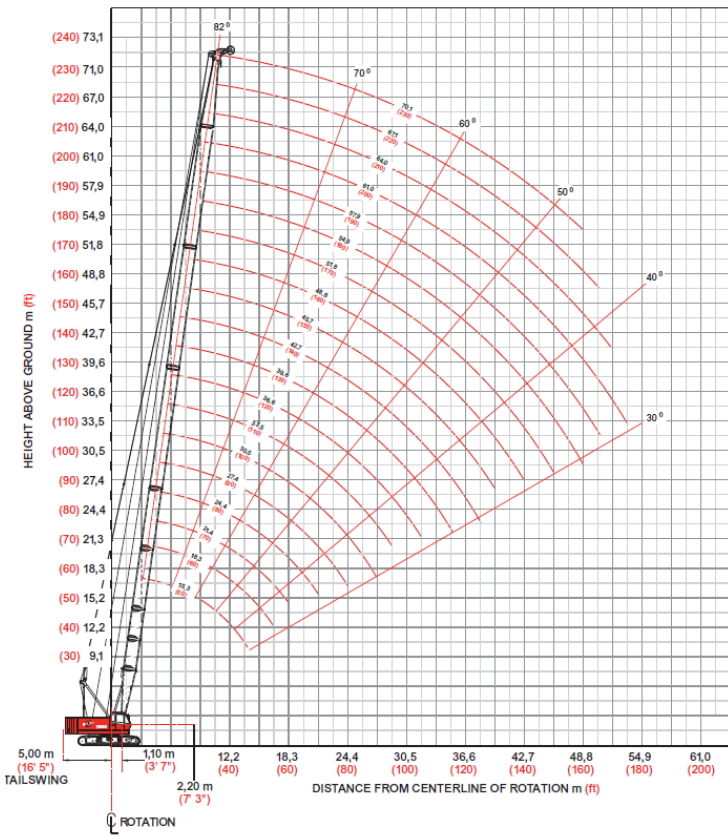
**WITHOUT
QUESTION**

IRVING EQUIPMENT LIMITED
 1-800-561-CRANE (2726)
WWW.IRVINGEQUIPMENT.COM

RANGE INFO

No. 12000 Fixed Jib on Main Boom

No. 12000 Main Boom





**WITHOUT
QUESTION**

IRVING EQUIPMENT LIMITED
 1-800-561-CRANE (2726)
WWW.IRVINGEQUIPMENT.COM

CAPACITIES – MAIN BOOM

heavy-lift load charts

Liftcrane Boom Capacities No. 12000 Main Boom

75,000 lb Upper Counterweight
 360° Rating

lb x 1 000

Boom ft	50	60	70	80	90	100	110	120	130	140	150	160	170	180	190	200	210	220	230	
Radius																				
12	240.0																			
14	206.0	204.0																		
16	177.0	177.0	177.0																	
18	150.0	150.0	150.0	150.0	150.0															
20	135.0	135.0	135.0	135.0	135.0	135.0														
24	111.9	111.7	111.7	111.5	111.5	111.3	111.3	111.1	100.0											
28	89.5	89.2	89.0	88.8	88.8	88.6	88.4	88.4	88.1	87.9	87.7									
34	68.3	68.1	67.9	67.4	67.4	67.2	67.0	67.0	66.7	66.5	66.3	66.3	66.1	65.9	65.4					
40	55.1	54.6	54.4	54.2	54.0	53.7	53.5	53.5	53.3	53.1	52.6	52.9	52.4	52.2	52.0	50.0	50.0	46.7	42.7	
45	47.1	46.7	46.5	46.2	46.0	45.8	45.6	45.6	45.4	45.1	44.7	44.9	44.5	44.3	44.0	44.0	43.8	43.4	40.1	
55		36.1	35.9	35.4	35.4	35.0	34.8	34.8	34.6	34.3	33.9	33.9	33.7	33.2	33.0	33.0	32.8	32.6	32.1	
75					23.5	23.1	22.9	22.7	22.4	22.2	21.8	21.8	21.6	21.1	20.9	20.9	20.7	20.2	20.0	
95							16.5	16.3	16.0	15.6	15.4	15.4	14.9	14.7	14.3	14.3	14.1	13.8	13.4	
105								14.1	13.8	13.4	13.2	13.2	12.7	12.3	12.1	12.1	11.9	11.4	11.2	
115									12.1	11.6	11.2	11.2	11.0	10.5	10.1	10.3	9.9	9.7	9.2	
125										10.3	9.9	9.7	9.4	9.0	8.8	8.8	8.3	7.9	7.4	
135												8.5	8.1	7.7	7.2	7.2	6.8	6.6	6.1	
145														7.0	6.6	6.1	5.7	5.2	4.8	
155															5.7	5.2	5.0	4.6	4.4	3.9
165																4.4	4.1	3.7	3.5	
175																	3.5			



**WITHOUT
QUESTION**

IRVING EQUIPMENT LIMITED
1-800-561-CRANE (2726)
WWW.IRVINGEQUIPMENT.COM

CAPACITIES – JIB

**Liftcrane Jib Capacities
No. 12000 Fixed Jib on Main Boom**

75,000 lb Counterweight (4 Upper Counterweights, Crawler Extended)
360° Rating lb x 1 000

10' Offset

Boom ft	90	120	160	180	200
30	24.0				
40	24.0	24.0			
50	24.0	24.0	24.0	24.0	24.0
60	24.0	24.0	24.0	24.0	24.0
80	21.9	21.1	20.1	19.8	19.0
100	16.1	15.3	14.2	13.6	13.1
120		11.6	10.4	9.8	9.3
140			7.8	7.1	6.5
160			5.8	4.9	4.2
175				3.6	
185					

30' Offset

Boom ft	90	120	160	180	200
30					
40	21.0				
50	21.0	21.0			
60	21.0	21.0	21.0	21.0	21.0
80	18.9	20.8	20.8	20.2	19.9
100		15.6	14.7	14.1	13.7
120			10.7	10.2	9.7
140				7.4	7.0
160					
175					
185					

10' Offset

Boom ft	90	120	160	180	200
45	15.7				
60	14.8	15.1	15.4	15.6	15.7
75	13.9	14.4	14.8	15.0	15.1
90	11.5	13.3	14.3	14.4	14.6
110	9.4	10.9	12.7	12.3	11.9
130	7.9	9.2	9.7	9.1	8.6
145	7.1	8.2	7.9	7.2	6.8
170		6.8	5.6	4.7	4.1
180			4.8	3.9	
190			4.0		
200			3.3		

10' Offset

Boom ft	90	120	160	180	200
30					
40	20.0				
50	20.0	20.0	20.0		
60	20.0	20.0	20.0	20.0	20.0
80	16.8	19.5	20.0	20.0	19.7
100	13.6	15.7	14.7	14.1	13.6
120	11.5	11.9	10.8	10.2	9.8
140		9.3	8.2	7.5	7.1
160			6.2	5.4	4.7
175			4.9	4.0	3.3
185			4.1		

30' Offset

Boom ft	90	120	160	180	200
30					
40					
50					
60	11.4	11.4			
80	11.2	11.2	11.4	11.4	11.4
100	9.8	10.6	11.4	11.4	11.4
120		9.6	10.4	10.8	10.6
140			8.6	8.1	7.7
160				5.9	5.3
175					3.8
185					

30' Offset

Boom ft	90	120	160	180	200
45					
60					
75	8.1	8.1			
90	7.6	8.1	8.1	8.1	8.1
110	6.5	7.0	7.6	7.8	8.0
130		6.3	6.9	7.1	7.3
145		5.9	6.4	6.6	6.8
170			5.9	5.5	4.9
180				4.5	3.9
190					
200					

- ✓ FULL-SERVICE PROVIDER FOR CRANE RENTAL, RIGGING, AND LIFT PLANNING.
- ✓ DAILY, WEEKLY, MONTHLY RATES AVAILABLE
- ✓ DRY-LEASE AND LONG-TERM RENTALS
- ✓ OUR PURPOSE IS TO LEAVE 'NO ROOM FOR DOUBT'!