



GROVE AP408 – (8T)



EQUIPMENT SPECIFICATIONS



**WITHOUT
QUESTION**

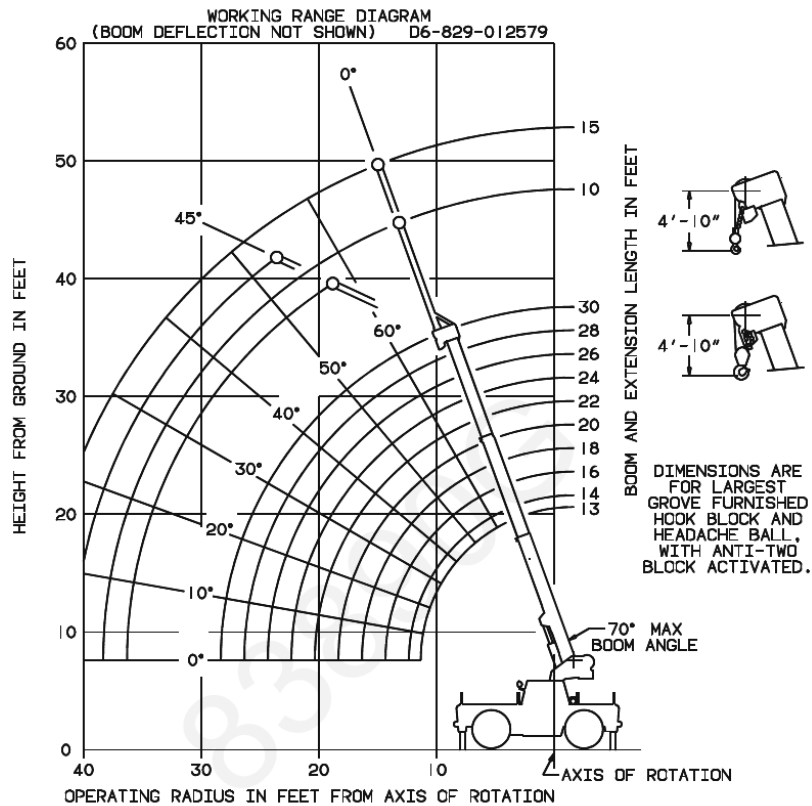
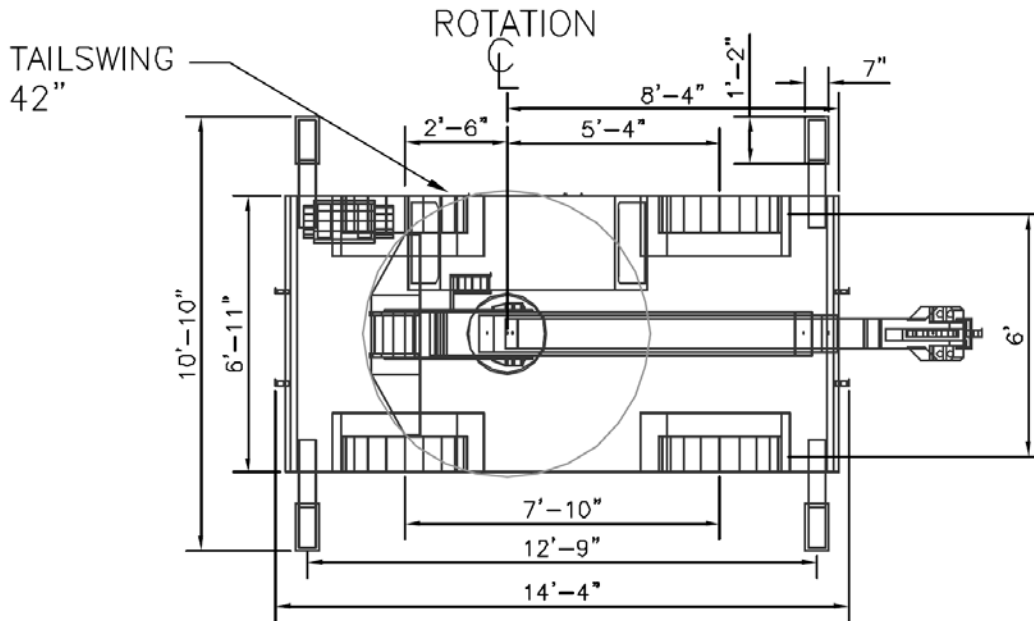
WWW.IRVINGEQUIPMENT.COM



**WITHOUT
QUESTION**

IRVING EQUIPMENT LIMITED
 1-800-561-CRANE (2726)
WWW.IRVINGEQUIPMENT.COM

DIMENSIONS / WORKING RANGE





WITHOUT QUESTION

IRVING EQUIPMENT LIMITED
 1-800-561-CRANE (2726)
WWW.IRVINGEQUIPMENT.COM

LIFTING CAPACITIES – MAIN BOOM

RATED LIFTING CAPACITIES IN POUNDS
 ON OUTRIGGERS FULLY EXTENDED - 360°

13 - 30 FT. BOOM

Radius in Feet	#01	
	13 - 30 FT. BOOM	
	Over Front	360°
5	16,000	16,000
6	15,000	15,000
8	13,000	13,000
10	11,000	11,000
12	9,500	9,500
14	8,100	7,990
16	6,900	6,320
18	5,900	5,190
20	5,150	4,370
22	4,590	3,740
24	4,275	3,250
26	3,870	2,850
28	3,520	2,530

#LMI operating code. Refer to LMI manual for instructions.

- Capacities do not exceed 85% of tipping loads as determined by test in accordance with SAE J765.
- Capacities appearing above the bold line are based on structural strength and tipping should not be relied upon as a capacity limitation.

WEIGHT REDUCTIONS FOR LOAD HANDLING DEVICES

10 FT. FIXED BOOM EXTENSION WITH 13 FT. - 30 FT. BOOM	
*Stowed -	153 lb
*Erected -	718 lb
10 - 15 FT. TELE. BOOM EXTENSION WITH 13 FT. - 30 FT. BOOM	
*Stowed -	196 lb
*Erected (retracted) -	1,057 lb
*Erected (extended) -	1,324 lb

*Reduction of main boom capacities

SEARCHER HOOK	55 lb
HOOKBLOCKS and HEADACHE BALLS:	
11 ton, 1 sheave	304 lb+
11 ton, 2 sheave	314 lb+
5 ton headache ball	172 lb+

+Refer to rating plate for actual weight.

ON RUBBER CAPACITIES

Radius in Feet	#05		#06
	Stationary Capacity Defined Arc (3) Over Front	Stationary Capacity 360 Degree Arc	Pick & Carry Cap. Up to 2.5 MPH Boom Centered (6) Over Front
5	15,000	10,300	15,000
6	13,200	7,310	13,200
8	10,550	4,820	10,550
10	8,720	3,140	8,720
12	7,390	2,390	7,390
14	6,050	1,860	6,050
16	4,790	1,410	4,790
18	3,920	1,150	3,920
20	3,290	930	3,290
22	2,810	790	2,810
24	2,430	650	2,430
26	2,130	510	2,130
28	1,880	400	1,880

A6-829-014767

#LMI operating code. Refer to LMI manual for instructions.

- Capacities are in pounds and do not exceed 75% of tipping loads as determined by test in accordance with SAE J765.
- Capacities are applicable to machines equipped with 10.00 x 15 (16 ply) tires, at 120 psi cold inflation pressure for static and creep capacities (115 psi for 2.5 mph capacities).
- Defined Arc - Over front includes 6° on either side of longitudinal centerline of machine.
- Capacities are applicable only with machine on firm level surface.
- All rubber lifting depends on proper tire inflation, capacity and condition. Capacities must be reduced for lower tire inflation pressures. Damaged tires are hazardous to safe operation of crane.
- For pick and carry operation, the boom, using the shortest practical boom length, must be centered over front of machine. When handling loads in the structural range with capacities close to maximum ratings, travel should be reduced to creep speed* 2.5 MPH capacities are permissible on main boom only, NOT on boom extension.

*Creep - not over 200 ft. of movement in any 30 minute period and not exceeding 1 mph.



**WITHOUT
QUESTION**

IRVING EQUIPMENT LIMITED
1-800-561-CRANE (2726)
WWW.IRVINGEQUIPMENT.COM

LIFTING CAPACITIES – BOOM EXTENSION

10 FT. - 15 FT. TELE. BOOM EXTENSION
RATED LIFTING CAPACITIES IN POUNDS
ON OUTRIGGERS FULLY EXTENDED - 360°

Radius in Feet	360 Degrees				Over Front			
	*10 ft. Tele. Ext.		15 ft. Tele. Ext.		*10 ft. Tele. Ext.		15 ft. Tele. Ext.	
	#21	#24	#31	#34	#21	#24	#31	#34
	0°	45°	0°	45°	0°	45°	0°	45°
8	7,000				7,000			
10	6,500		4,150		6,500		4,150	
12	6,000		3,800		6,000		3,800	
14	5,500	4,500	3,400		5,500	4,500	3,400	
16	5,000	4,200	3,150		5,000	4,200	3,150	
18	4,500	3,900	2,950	2,600	4,500	3,900	2,950	2,600
20	4,200	3,600	2,800	2,550	4,200	3,600	2,800	2,550
22	3,700	3,350	2,650	2,500	3,700	3,350	2,650	2,500
24	3,310	3,150	2,550	2,450	3,500	3,150	2,550	2,450
26	2,850	2,850	2,500	2,400	3,250	3,000	2,500	2,400
28	2,480	2,480	2,450	2,250	3,000	2,850	2,450	2,250
30	2,170	2,170	2,350	2,100	2,800	2,700	2,350	2,100
32	1,900		2,110	2,050	2,600		2,200	2,050
34	1,670		1,880	1,880	2,450		2,000	1,950
36	1,470		1,690		2,300		1,900	
38	1,300		1,510		2,200		1,800	
40			1,360				1,700	
42			1,220				1,600	

When lifting over swingaway and/or jib combinations, deduct total weight of all load handling devices reeved over main boom nose directly from swingaway or jib capacity.

NOTE: All load handling devices and boom attachments are considered part of the load and suitable allowances MUST BE MADE for their combined weights. Weights are for Grove furnished equipment.

10 FT. FIXED BOOM EXTENSION WITH 13 FT. - 30 FT. BOOM	
*Stowed -	153 lb
*Erected -	718 lb
10 - 15 FT. TELE. BOOM EXTENSION WITH 13 FT. - 30 FT. BOOM	
*Stowed -	196 lb
*Erected (retracted) -	1,057 lb
*Erected (extended) -	1,324 lb

*Reduction of main boom capacities

SEARCHER HOOK	55 lb
HOOKBLOCKS and HEADACHE BALLS:	
11 ton, 1 sheave	304 lb+
11 ton, 2 sheave	314 lb+
5 ton headache ball	172 lb+

+Refer to rating plate for actual weight.

#LMI operating codes. Refer to LMI manual for instructions

A6-829-012513

*10 ft. capacities applicable to both the 10 ft. fixed and 10 ft. tele. boom extension.

BOOM EXTENSION CAPACITY NOTES:

- All capacities above the bold line are based on structural strength of boom extension and do not exceed 85% of tipping loads on outriggers in accordance with J765.
- 10 ft. and 15 ft. boom extension lengths may be used for double or single line lifting service.
- Rated load is based on radius, regardless of main boom length.
- WARNING: Operation of this machine with heavier loads than the capacities listed is strictly prohibited. Machine tipping with boom extension occurs rapidly and without advance warning.
- For all boom extension lifting service, links must be in place and upper rear pin in boom extension mounting bracket must be removed.
- Capacities listed are with fully extended outriggers only.
- No load stability on outriggers 360° with 10 ft. - 15 ft. tele. extension installed:
 - Minimum boom angle for 30 ft. main boom = 0°
 - Maximum main boom length at 0° main boom angle = 30 ft.
- When lifting loads the minimum allowable boom angle is: 3° with 0° offset and 48° with 45° offset.

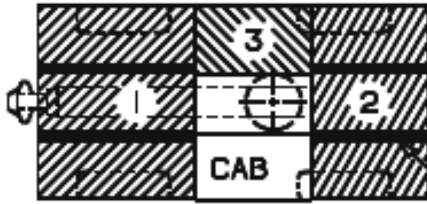


**WITHOUT
QUESTION**

IRVING EQUIPMENT LIMITED
1-800-561-CRANE (2726)
WWW.IRVINGEQUIPMENT.COM

INFO

LOAD DISTRIBUTION CHART FOR CARRY DECK



MAXIMUM ALLOWABLE LOAD

AREA 1	35.0SQ.FT/3.25SQ.M	8,750LBS/3970KGS
AREA 2	25.9SQ.FT/2.40SQ.M	6,475LBS/2935KGS
AREA 3	8.5SQ.FT/0.79SQ.M	2,125LBS/ 960KGS
TOTAL	69.4SQ.FT/6.44SQ.M	17,350LBS/7865KGS

(FRAME RAIL AREA. TYP)

1. MAXIMUM TRAVEL SPEED WITH ANY OR ALL LOADS---2.5 MPH./4 KPH.
2. LOADS TO BE TRANSPORTED ON SMOOTH LEVEL FIRM SURFACES ONLY.
3. BOOM MUST BE RETRACTED AND IN CENTER FORWARD POSITION.
4. ANY COMBINATION OR TOTAL OF AREAS 1,2,& 3 MAY BE USED.
5. LIFTING IS NOT PERMITTED WHEN CARRY DECK IS LOADED EXCEPT FOR LOADING AND UNLOADING CARRY DECK.
6. RATED PICK AND CARRY LOADS MAY BE TRANSPORTED ON DECK AREAS 1 AND 2 PROVIDED THE LOAD IS CRIBBED DIRECTLY ON THE FRAME RAILS.

LINE PULLS AND REEVING INFORMATION

HOISTS	CABLE SPECS.	PERMISSIBLE LINE PULLS
Main Model HO-12	9/16" (14 mm) 18x19 Class or 35x7 Rotation Resistant Min. breaking strength 37,000 lb	7,400 lb*
Main Model HO-12	9/16" (14 mm) 6x37 Class EIPS, MRC Special Flexible Min. breaking strength 33,600 lb	7,400 lb*
Main Model HO-12	12 mm 40x7 Class Rotation Resistant Min. breaking strength 28,460 lb	5,692 lb*

The approximate weight of 9/16" rope is 0.7 lb/ft.

TIRE INFLATION - PSI (BAR)

SIZE (FRONT & REAR)	LOAD RANGE	TRA CODE	LIFTING SERVICE		TRAVEL
			CREEP & STATIC	2.5 MPH (4.0 km/h)	
10.00 x 15 and 36 x 11 -15	H(16)	—	120 (8.3)	115 (7.9)	115 (7.9)

- ✓ FULL-SERVICE PROVIDER FOR CRANE RENTAL, RIGGING, AND LIFT PLANNING.
- ✓ DAILY, WEEKLY, MONTHLY RATES AVAILABLE
- ✓ DRY-LEASE AND LONG-TERM RENTALS
- ✓ OUR PURPOSE IS TO LEAVE 'NO ROOM FOR DOUBT'!