



LIEBHERR LTM1250-5.1 - (300T)

EQUIPMENT SPECIFICATIONS



**WITHOUT
QUESTION**

WWW.IRVINGEQUIPMENT.COM



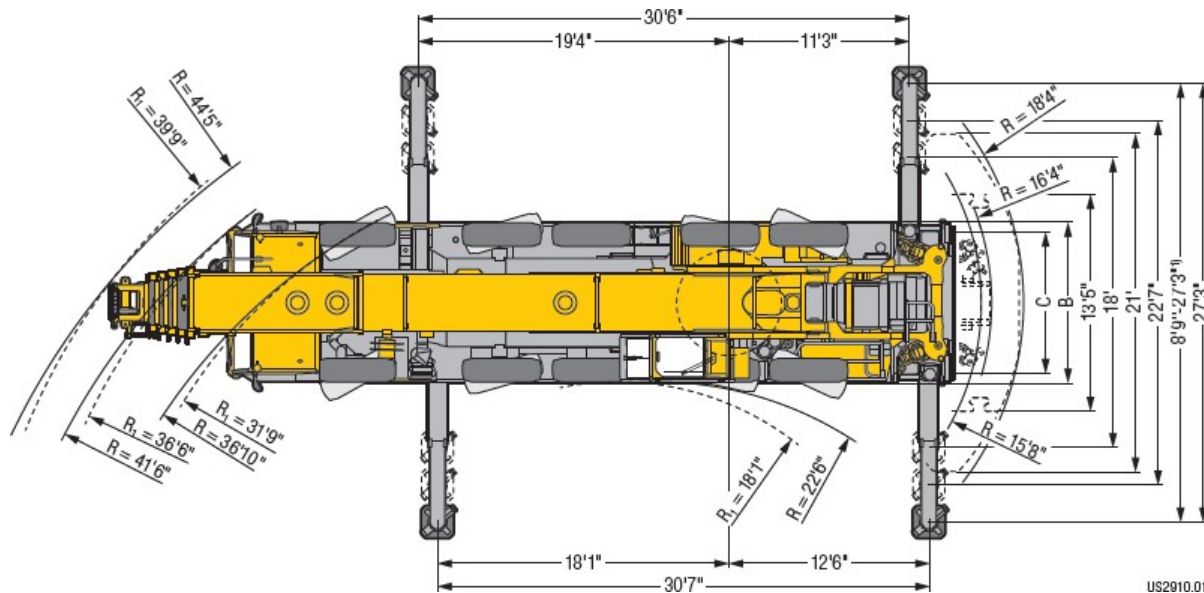
**WITHOUT
QUESTION**

IRVING EQUIPMENT LIMITED
1-800-561-CRANE (2726)
WWW.IRVINGEQUIPMENT.COM

LIEBHERR LTM1250-5.1 - (300T)

IDENTIFICATION	
Asset Number	CR314
Crane Make	Liebherr
Crane Model	LTM1250-5.1
Type	300T All-Terrain
Serial Number	088742
DIMENSIONS	
Overall length of carrier	45'4"
Overall width of carrier	9'10"
Transportation height	13'1"
Fullspan outriggers c-c	27'3"
Midspan outriggers c-c	21'
Outriggers, front to rear spacing	30'6"
Tailswing radius	18'4"
Center Rot. to rear bumper distance	14'6"
Center Rot. to front bumper distance	30'9"
Transportation weight	132,000lb, 26,400lb/axle
No. axles	5
Dolly	N/A

OPERATOR FEATURES	
Extra-wide operator's cab	Automatic levelling
20-degree tilting upper cab	Vario-base Outriggers
Extrudable running boards	ECO mode
Flat deck for sure footing	Full power boom
TRANSPORT INFO	
Full counterweight	194,000lbs
Fixed jib, length options	35' – 108'
Fixed jib, offset angles	Hyd. Offset 0-40o
Luffing jib, max length	N/A
Main boom max. length	197'
Max hook height	335'
ONBOARD EQUIPMENT	
Travel Speed	53 mph
Steer Type	All axles steered
No. Winches	2
Line Pull, winch 1	23,605lb, 440'/min
Line Pull, winch 2	23,605lb, 440'/min
Gradeability	55.4%
Slewing Speed	1.4 rpm

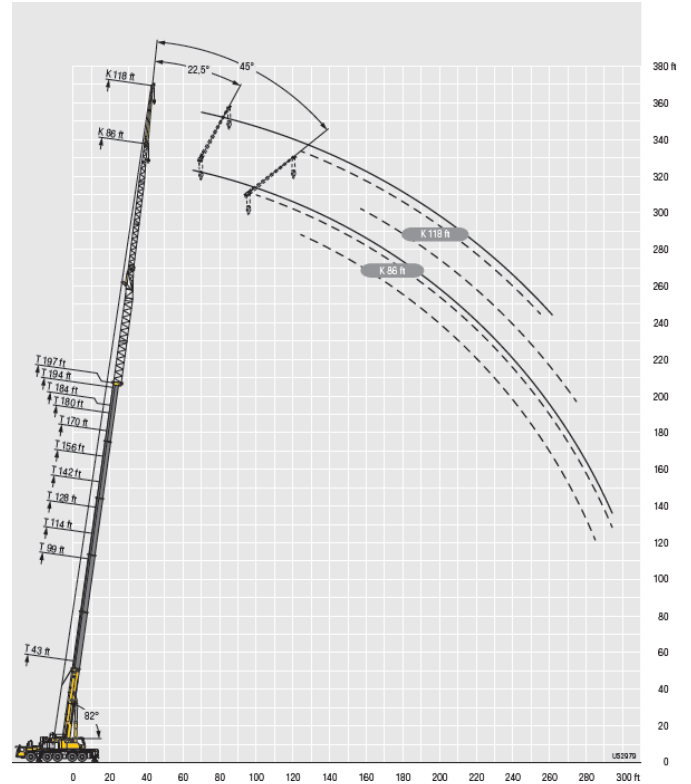
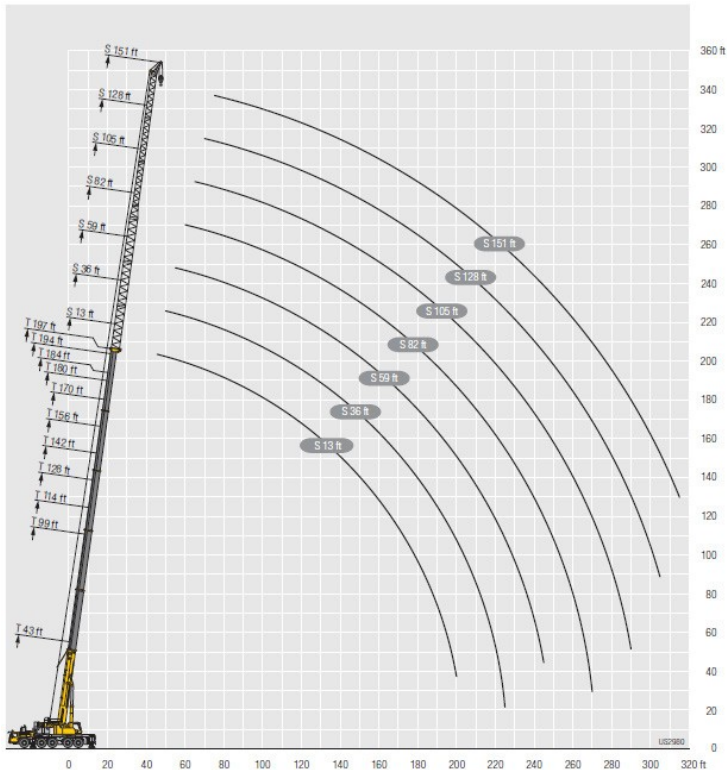




**WITHOUT
QUESTION**

IRVING EQUIPMENT LIMITED
1-800-561-CRANE (2726)
WWW.IRVINGEQUIPMENT.COM

LIEBHERR LTM1250-5.1 - (300T)



- ✓ FULL-SERVICE PROVIDER FOR CRANE RENTAL, RIGGING, AND LIFT PLANNING.
- ✓ DAILY, WEEKLY, MONTHLY RATES AVAILABLE
- ✓ DRY-LEASE AND LONG-TERM RENTALS
- ✓ OUR PURPOSE IS TO LEAVE 'NO ROOM FOR DOUBT'!