



LIEBHERR LTM1130-5.1 - (160T)



## EQUIPMENT SPECIFICATIONS



**WITHOUT  
QUESTION**

[WWW.IRVINGEQUIPMENT.COM](http://WWW.IRVINGEQUIPMENT.COM)



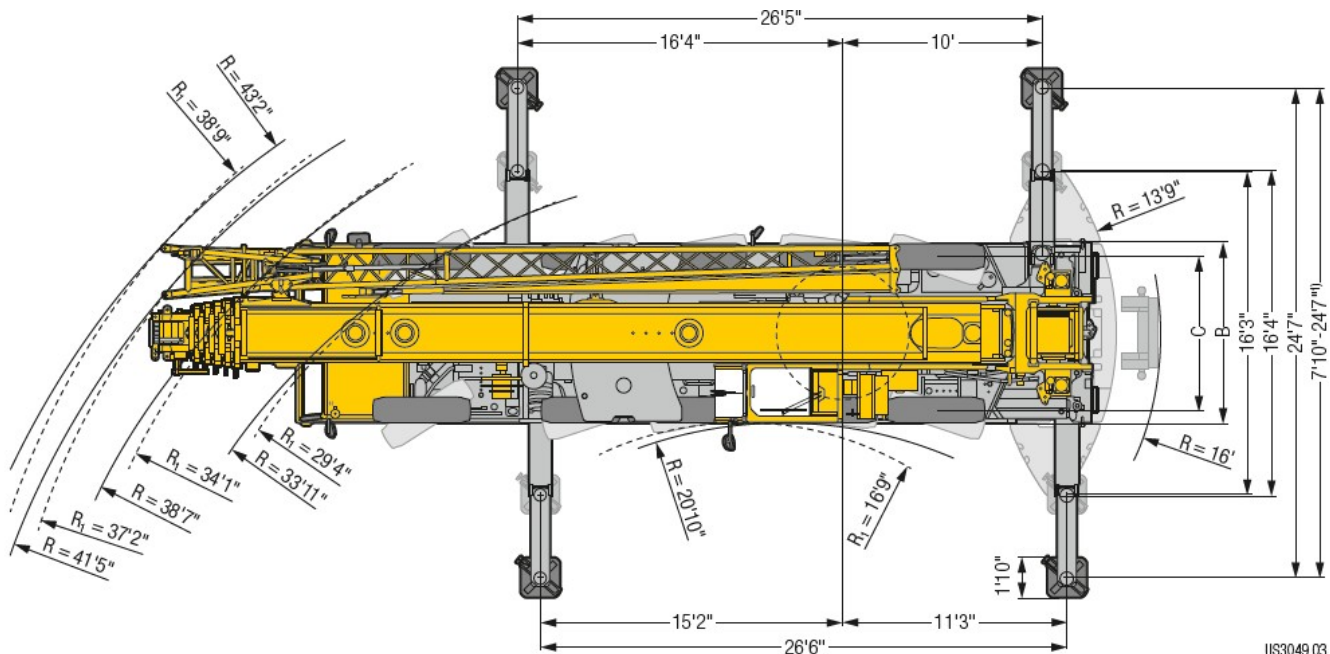
**WITHOUT  
QUESTION**

**IRVING EQUIPMENT LIMITED**  
1-800-561-CRANE (2726)  
**WWW.IRVINGEQUIPMENT.COM**

**LIEBHERR LTM1130-5.1 - (160T)**

IDENTIFICATION	
Asset Number	CR315
Crane Make	Liebherr
Crane Model	LTM1130-5.1
Type	160T All-Terrain
Serial Number	067591
DIMENSIONS	
Overall length	40'6"
Overall width of carrier	9'4"
Transportation height	13'1"
Fullspan outriggers c-c	24'7"
Midspan outriggers c-c	16'4"
Outriggers, front to rear length	26'6"
Tailswing radius	13'9"
Center Rot. to rear bumper distance	12'5"
Center Rot. to front bumper distance	28'1"
Transportation weight	132,000lb, 26,400lb/axle
No. axles	5
Dolly?	N/A
No. dolly axles	N/A

OPERATOR FEATURES	
Extra-wide operator's cab	Automatic levelling
20-degree tilting upper cab	Vario-base Outriggers
Extrudable running boards	ECO mode
TRANSPORT INFO	
Full counterweight	92,600lbs
Fixed jib, length options	35' – 108'
Fixed jib, offset angles	Hyd. Offset 0-40°
Luffing jib, max length	N/A
Main boom max. length	197'
Max hook height	305'
ONBOARD EQUIPMENT	
Travel Speed	53 mph
Steer Type	All axles steered
No. Winches	2
Line Pull, winch 1	19,785lb, 360'/min
Line Pull, winch 2	19,785lb, 360'/min
Gradeability	55.7%
Slewing Speed	1.5 rpm



US3049.03



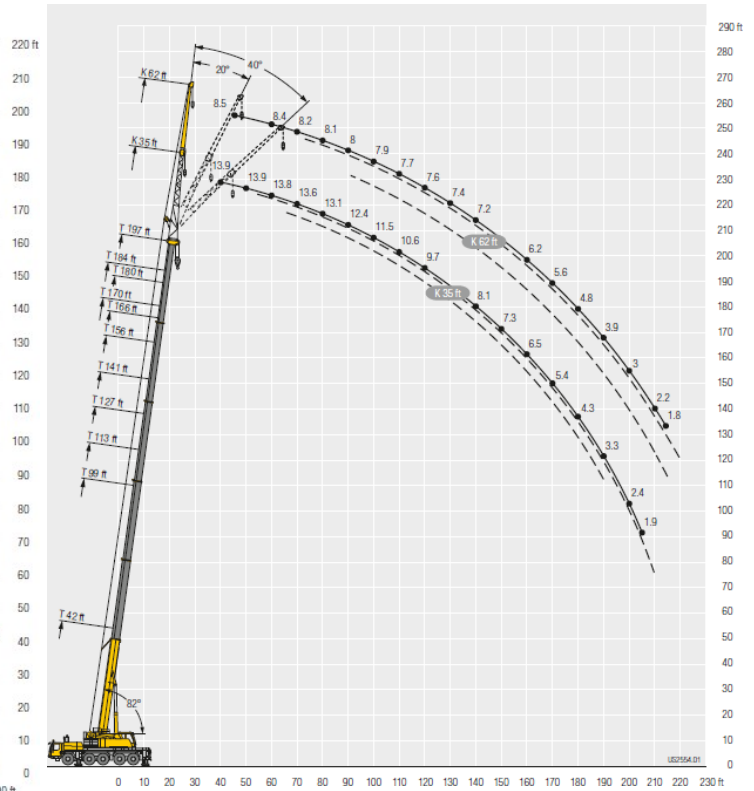
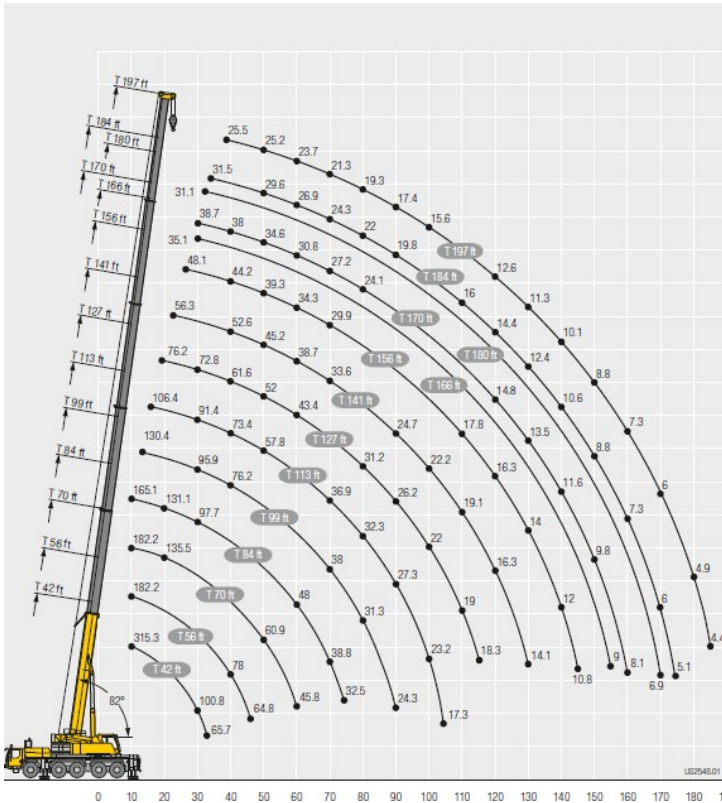




# WITHOUT QUESTION

**IRVING EQUIPMENT LIMITED**  
1-800-561-CRANE (2726)  
[WWW.IRVINGEQUIPMENT.COM](http://WWW.IRVINGEQUIPMENT.COM)

## LIEBHERR LTM1130-5.1 - (160T)



- ✓ FULL-SERVICE PROVIDER FOR CRANE RENTAL, RIGGING, AND LIFT PLANNING.
- ✓ DAILY, WEEKLY, MONTHLY RATES AVAILABLE
- ✓ DRY-LEASE AND LONG-TERM RENTALS
- ✓ OUR PURPOSE IS TO LEAVE 'NO ROOM FOR DOUBT'!