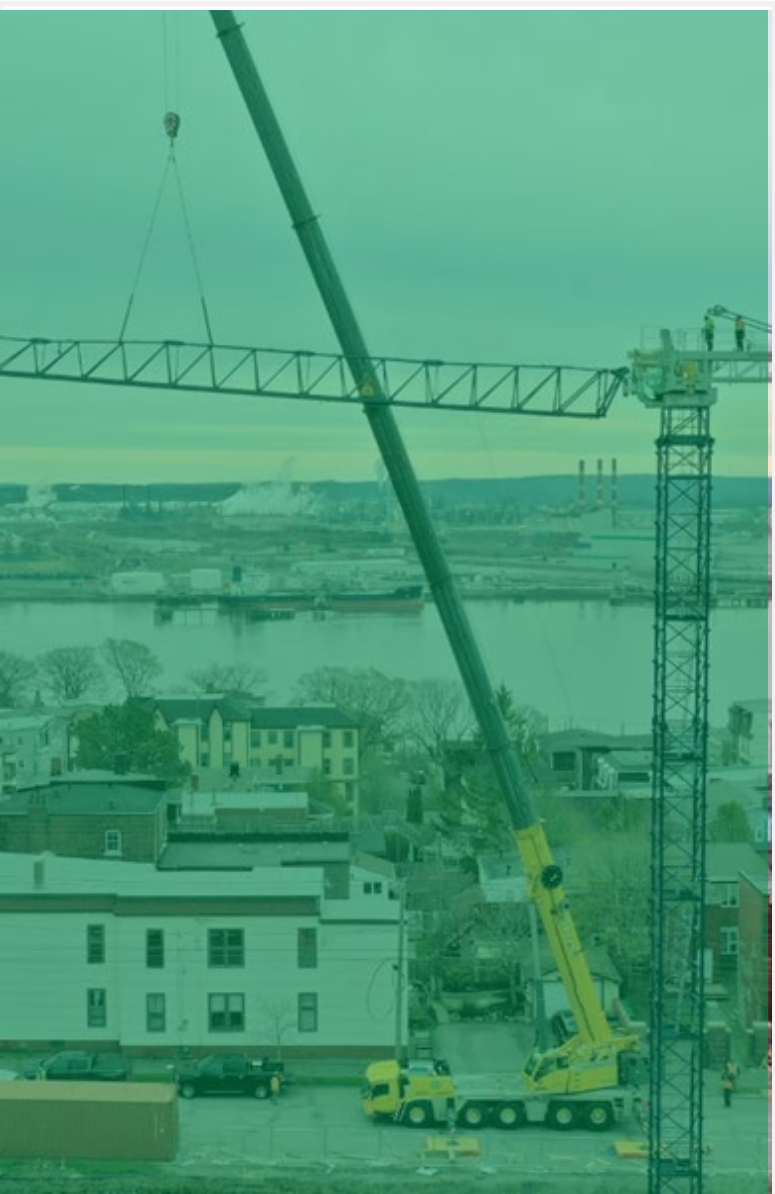




GROVE GMK5250L – (250T)



EQUIPMENT SPECIFICATIONS



WITHOUT QUESTION

WWW.IRVINGEQUIPMENT.COM



WITHOUT QUESTION

IRVING EQUIPMENT LIMITED
 1-800-561-CRANE (2726)
WWW.IRVINGEQUIPMENT.COM

INFO

IDENTIFICATION

Asset Number	RR4477
Crane Make	Grove
Crane Model	GMK5250L
Type	300T All-Terrain
Serial Number	5250-5223

DIMENSIONS

Overall length of carrier	44.8'
Overall width of carrier	10.2'
Transportation height	13.1'
Fullspan outriggers c-c	25.6'
75% outriggers c-c	22.5'
50% outriggers c-c	19.4'
25% outrigger c-c	14.1'
Outriggers, front to rear spacing	29.4'
Center of rotation to back bumper	12.7'
Center of rotation to front bumper	32.1'
Weight, w/jib, aux. winch, 3-axle dolly, no jib	145,284lb (65,900kg)
	10.2'-5.4'-8.0'-
Axle Spacing (Front- 2 nd , 2-3, 3-4, 4-rear)	5.4'
Dolly	3-Axle

FEATURES

- 300 USt capacity & 230' seven-section main boom
- 69' Swing away jib, hydraulically offsettable up to 50°
- Compact 5-axle chassis w/5 outrigger widths for flexibility on site
- Integrated 6'6" heavy-duty jib capable of running 4-part line
- All-wheel steer and MEGATRACK suspension

EQUIPMENT INFO

Full counterweight	176,300lb
Fixed jib, length options	39', 69', 95', 121'
Fixed jib, offset angles	Luffing 5°-50°
Luffing jib	Live, hydraulic
Main boom max. length	230' (239.5' tip height)
Maximum tip height w/jib	360'
Slewing speed	1.45rpm
Travel Speed	85km/hr
Boom Elevation	-1.5° – 82° in 65 seconds
Hook blocks	Ball, 1 & 5-sheave blocks
Line Pull, max. single line	21,020lb
Max line speed (either winch)	410'/minute
Gradeability	50%
Hoist rope	1083' of 22mm dia.

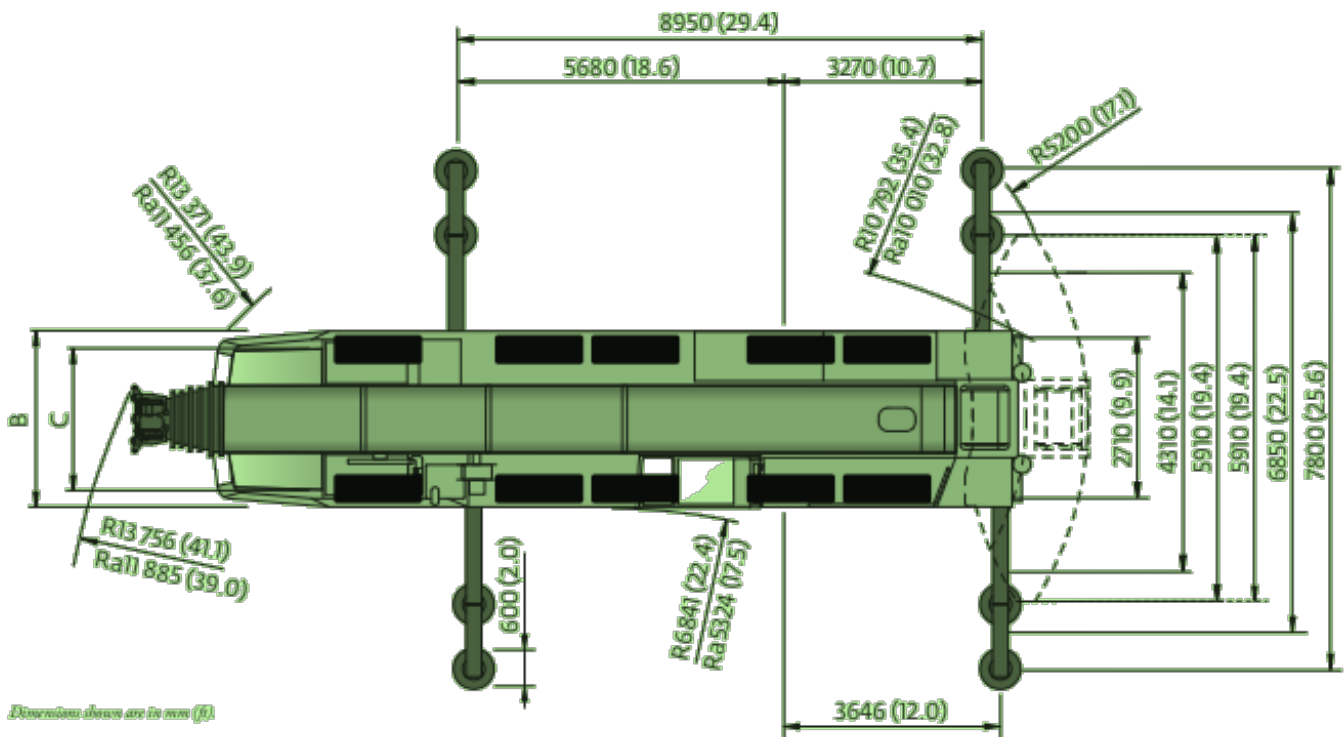
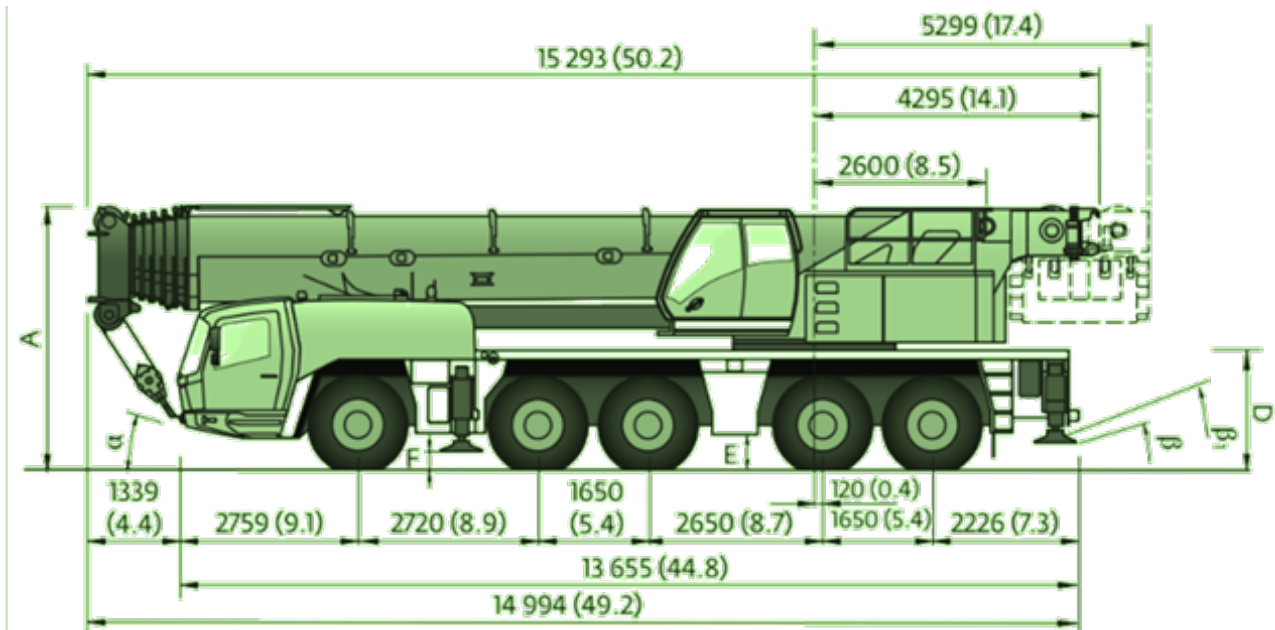




**WITHOUT
QUESTION**

IRVING EQUIPMENT LIMITED
 1-800-561-CRANE (2726)
WWW.IRVINGEQUIPMENT.COM

KEY DIMENSIONS

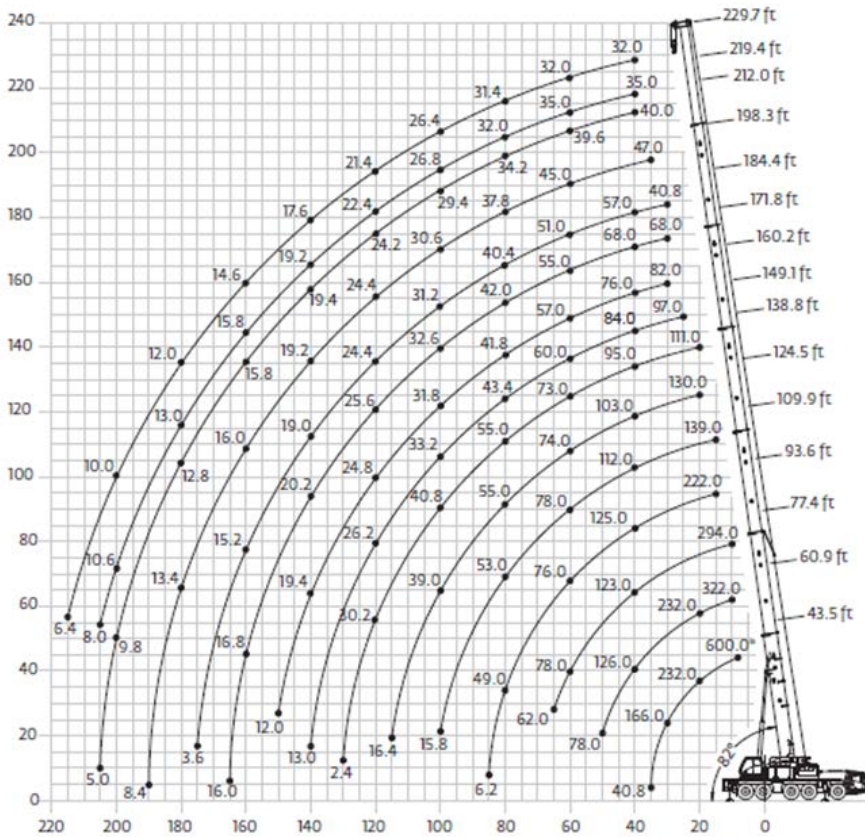
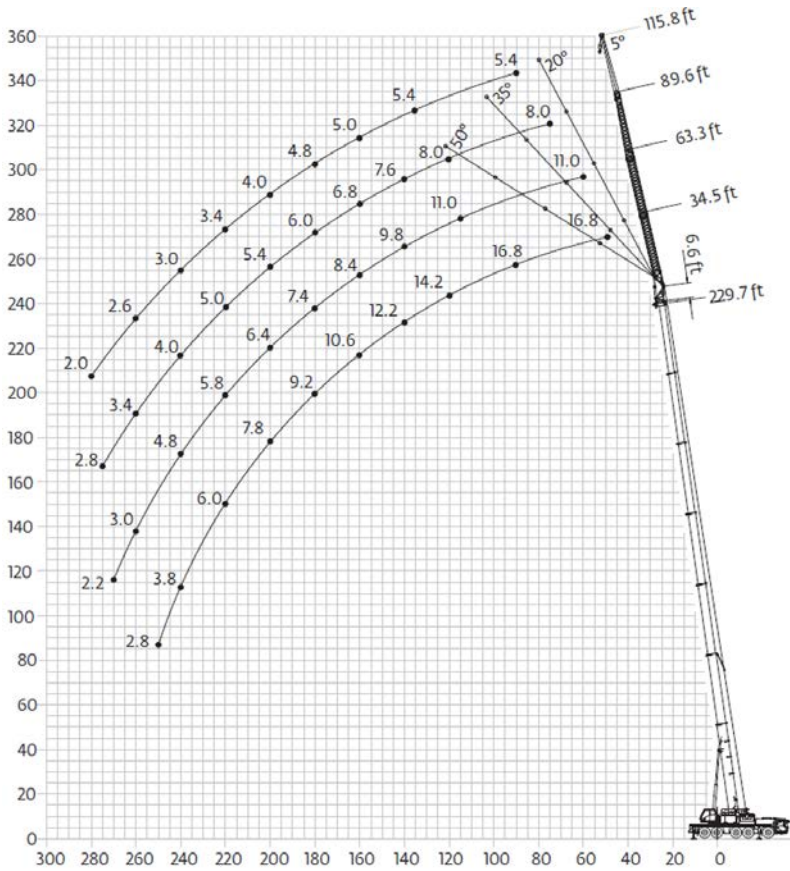


Dimensions shown are in mm (ft)



**WITHOUT
QUESTION**

IRVING EQUIPMENT LIMITED
 1-800-561-CRANE (2726)
WWW.IRVINGEQUIPMENT.COM





WITHOUT QUESTION

IRVING EQUIPMENT LIMITED
 1-800-561-CRANE (2726)
WWW.IRVINGEQUIPMENT.COM

CAPACITIES – MAIN BOOM



13,3 m - 70,0 m (44 ft - 229.7 ft)



7,8 m (25.6 ft)



360°



80 t (176,300 lb)



Pounds x 1000

Feet	43.5	60.9	77.4	93.6	109.9	124.5	138.8	149.1	160.2	171.8	184.4	198.3	212.0	219.4	229.7	Feet
8.0	600.0*															8.0
9.0	382.0															9.0
10.0	360.0	322.0	294.0													10.0
15.0	284.0	284.0	254.0	220.0	139.0											15.0
20.0	232.0	232.0	228.0	199.0	165.0	130.0	111.0									20.0
25.0	195.0	196.0	192.0	176.0	154.0	129.0	111.0	97.0								25.0
30.0	166.0	167.0	164.0	156.0	138.0	122.0	108.0	96.0	82.0	68.0	40.8					30.0
35.0	40.8	144.0	141.0	140.0	124.0	113.0	102.0	91.0	80.0	68.0	57.0	47.0				35.0
40.0		126.0	123.0	125.0	112.0	103.0	95.0	84.0	76.0	68.0	57.0	47.0	40.0	35.0	32.0	40.0
45.0		109.0	108.0	110.0	102.0	95.0	89.0	77.0	72.0	66.0	57.0	47.0	40.0	35.0	32.0	45.0
50.0		78.0	98.0	96.0	93.0	87.0	83.0	71.0	67.0	62.0	56.0	47.0	40.0	35.0	32.0	50.0
55.0			87.0	86.0	85.0	80.0	78.0	65.0	62.0	59.0	54.0	47.0	40.0	35.0	32.0	55.0
60.0			78.0	76.0	78.0	74.0	73.0	60.0	57.0	55.0	51.0	45.0	39.6	35.0	32.0	60.0
65.0			62.0	69.0	70.0	68.0	68.0	55.0	53.0	52.0	48.0	43.4	38.4	34.8	32.0	65.0
70.0				63.0	64.0	64.0	63.0	51.0	49.0	48.0	45.0	41.6	37.0	34.2	31.8	70.0
75.0				59.0	58.0	60.0	59.0	47.0	45.0	45.0	43.0	39.8	35.6	33.2	31.8	75.0
80.0				49.0	53.0	55.0	55.0	43.4	41.8	42.0	40.4	37.8	34.2	32.0	31.4	80.0
85.0				6.2	49.0	51.0	52.0	40.4	38.8	39.4	37.6	36.0	33.0	30.6	30.2	85.0
90.0					45.0	46.0	48.0	38.0	36.4	37.0	35.4	34.2	31.8	29.4	28.8	90.0
95.0					40.0	42.4	44.0	35.6	34.0	34.8	33.2	32.4	30.6	28.0	27.6	95.0
100.0					15.8	39.0	40.8	33.2	31.8	32.6	31.2	30.6	29.4	26.8	26.4	100.0
105.0						36.0	37.8	31.4	30.0	30.6	29.4	29.0	28.2	25.8	25.2	105.0
110.0						31.8	35.0	29.4	28.2	28.8	27.4	27.4	26.8	24.6	24.0	110.0
115.0						16.4	32.4	27.8	26.4	27.2	25.8	25.8	25.6	23.4	22.8	115.0
120.0							30.2	26.2	24.8	25.6	24.4	24.4	24.2	22.4	21.4	120.0
125.0							25.6	24.6	23.2	24.0	22.8	22.8	23.0	21.6	20.4	125.0
130.0							2.4	23.0	21.8	22.4	21.2	21.4	21.6	20.8	19.4	130.0
135.0								21.0	20.4	21.2	20.0	20.2	20.4	20.0	18.6	135.0
140.0								13.0	19.4	20.2	19.0	19.2	19.4	19.2	17.6	140.0
145.0									18.2	19.0	17.8	18.0	18.4	18.4	16.8	145.0
150.0									12.0	18.2	17.0	17.4	17.6	17.6	16.0	150.0
155.0										17.4	16.2	16.6	16.8	16.8	15.4	155.0
160.0										16.8	15.2	16.0	15.8	15.8	14.6	160.0
165.0										16.0	14.4	15.2	15.0	15.0	13.8	165.0
170.0											12.8	14.6	14.2	14.4	13.2	170.0
175.0											3.6	14.0	13.6	13.6	12.6	175.0
180.0												13.4	12.8	13.0	12.0	180.0
185.0												13.0	12.2	12.4	11.4	185.0
190.0												8.4	11.6	11.8	11.0	190.0
195.0													11.0	11.2	10.4	195.0
200.0													9.8	10.6	10.0	200.0
205.0													5.0	8.0	9.4	205.0
210.0															9.0	210.0
215.0															6.4	215.0



WITHOUT QUESTION

IRVING EQUIPMENT LIMITED
 1-800-561-CRANE (2726)
WWW.IRVINGEQUIPMENT.COM

CAPACITIES - JIB



52.4 m - 70.0 m
(173.1 ft - 229.7 ft)



37.3 m
(122.4 ft)



7.8 m
(25.6 ft)



360°



80 t (176,300 lb)



Pounds x 1000

Feet	173.1 6.6 + 115.8				198.3 6.6 + 115.8				222.3 6.6 + 115.8				229.7 6.6 + 115.8				Feet
	5°	*5°-20°	*20°-35°	*35°-50°	5°	*5°-20°	*20°-35°	*35°-50°	5°	*5°-20°	*20°-35°	*35°-50°	5°	*5°-20°	*20°-35°	*35°-50°	
70.0	7.0																70.0
75.0	7.0				6.8												75.0
80.0	7.0				6.8				5.8								80.0
85.0	7.0				6.8				5.8								85.0
90.0	7.0				6.8				5.8				5.4				90.0
95.0	6.8	6.4			6.8				5.8				5.4				95.0
100.0	6.8	6.2			6.8				5.8				5.4				100.0
105.0	6.8	6.2			6.8	6.2			5.8				5.4				105.0
110.0	6.6	6.0			6.6	6.2			5.8				5.4				110.0
115.0	6.6	6.0			6.6	6.0			5.8	5.4			5.4	5.2			115.0
120.0	6.4	6.0	5.4		6.6	6.0			5.8	5.4			5.4	5.2			120.0
125.0	6.4	5.8	5.2		6.4	6.0			5.8	5.4			5.4	5.2			125.0
130.0	6.4	5.8	5.2		6.4	5.8			5.6	5.4			5.4	5.2			130.0
135.0	6.2	5.8	5.2		6.4	5.8	5.2		5.6	5.4			5.4	5.2			135.0
140.0	6.2	5.6	5.0	4.6	6.2	5.8	5.2		5.6	5.2	5.0		5.2	5.0	5.0		140.0
145.0	6.0	5.4	5.0	4.6	6.2	5.6	5.0		5.6	5.2	5.0		5.2	5.0	4.8		145.0
150.0	5.8	5.2	4.8	4.6	6.0	5.6	5.0		5.6	5.2	4.8		5.2	5.0	4.8		150.0
155.0	5.6	5.0	4.8	4.6	6.0	5.4	5.0	4.6	5.4	5.2	4.8		5.2	5.0	4.8		155.0
160.0	5.4	4.8	4.6	4.4	6.0	5.4	4.8	4.6	5.4	5.2	4.8	4.4	5.0	5.0	4.6	4.6	160.0
165.0	5.2	4.8	4.4	4.4	5.8	5.2	4.8	4.4	5.4	5.0	4.8	4.4	5.0	4.8	4.6	4.4	165.0
170.0	5.0	4.6	4.4	4.2	5.8	5.2	4.8	4.4	5.4	5.0	4.6	4.4	5.0	4.8	4.4	4.4	170.0
175.0	4.8	4.4	4.2	4.2	5.8	5.2	4.6	4.4	5.2	4.8	4.4	4.4	5.0	4.6	4.4	4.2	175.0
180.0	4.6	4.2	4.0	4.0	5.6	5.0	4.6	4.4	5.0	4.6	4.4	4.2	4.8	4.4	4.2	4.2	180.0
185.0	4.4	4.2	4.0	4.0	5.6	5.0	4.6	4.4	5.0	4.6	4.2	4.2	4.6	4.4	4.2	4.0	185.0
190.0	4.2	4.0	3.8	3.8	5.4	5.0	4.6	4.4	4.8	4.4	4.2	4.0	4.4	4.2	4.0	4.0	190.0
195.0	4.0	3.8	3.8	3.8	5.4	4.8	4.6	4.4	4.6	4.2	4.0	4.0	4.2	4.2	4.0	3.8	195.0
200.0	3.8	3.8	3.6	3.6	5.2	4.8	4.4	4.4	4.6	4.2	4.0	4.0	4.0	4.0	3.8	3.8	200.0
205.0	3.6	3.6	3.6	3.6	5.0	4.8	4.4	4.4	4.4	4.0	3.8	3.8	3.8	3.8	3.8	3.8	205.0
210.0	3.6	3.6	3.4	3.4	5.0	4.6	4.4	4.2	4.2	4.0	3.8	3.8	3.8	3.6	3.6	3.6	210.0
215.0	3.4	3.4	3.4	3.4	4.8	4.6	4.4	4.2	4.0	3.8	3.6	3.6	3.6	3.6	3.6	3.6	215.0
220.0	3.2	3.2	3.2	3.2	4.6	4.4	4.2	4.2	4.0	3.8	3.6	3.6	3.4	3.4	3.4	3.4	220.0
225.0	3.0	3.0	3.2	3.2	4.4	4.4	4.2	4.2	3.8	3.6	3.6	3.6	3.2	3.2	3.2	3.4	225.0
230.0	3.0	3.0	3.0		4.2	4.2	4.2	4.2	3.6	3.6	3.4	3.4	3.2	3.2	3.2	3.2	230.0
235.0	2.8	2.8	2.8		4.2	4.0	4.0	4.0	3.4	3.4	3.4	3.4	3.0	3.0	3.0	3.0	235.0
240.0	2.6	2.6	2.8		4.0	4.0	4.0	4.0	3.4	3.4	3.2	3.2	2.8	2.8	2.8	3.0	240.0
245.0	2.6	2.6	2.6		3.8	3.8	3.8		3.2	3.2	3.2	3.2	2.8	2.8	2.8	2.8	245.0
250.0	2.4	2.4	2.4		3.8	3.8	3.8		3.2	3.2	3.2	3.2	2.6	2.6	2.6	2.8	250.0
255.0	2.2	2.2	2.4		3.6	3.6	3.6		3.0	3.0	3.0	3.0	2.6	2.6	2.6	2.6	255.0
260.0	2.2	2.2			3.6	3.6	3.6		2.8	2.8	2.8	3.0	2.4	2.4	2.4	2.6	260.0
265.0	2.0	2.0			3.4	3.4	3.4		2.8	2.8	2.8		2.2	2.2	2.4	2.4	265.0
270.0					3.2	3.2	3.4		2.6	2.6	2.6		2.2	2.2	2.2		270.0
275.0					2.8	2.8	3.2		2.4	2.4	2.6		2.0	2.0	2.2		275.0
280.0					2.4	2.4	3.0		2.0	2.0	2.4				2.0		280.0
285.0											2.4						285.0

- ✓ FULL-SERVICE PROVIDER FOR CRANE RENTAL, RIGGING, AND LIFT PLANNING.
- ✓ DAILY, WEEKLY, MONTHLY RATES AVAILABLE
- ✓ DRY-LEASE AND LONG-TERM RENTALS
- ✓ OUR PURPOSE IS TO LEAVE 'NO ROOM FOR DOUBT'!